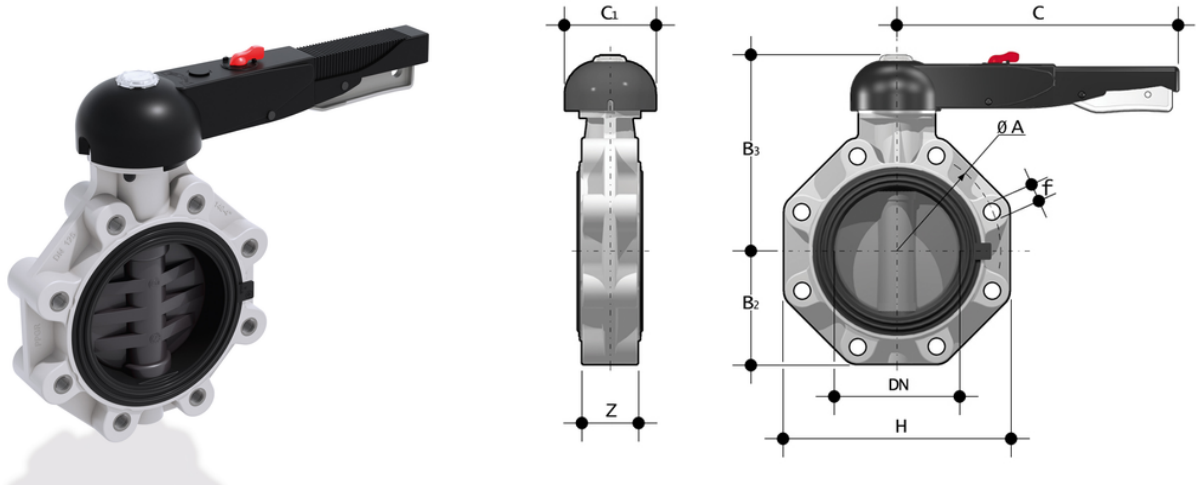


# FKOV/LM LUG ANSI - Butterfly valve DN 40:400

Hand operated butterfly valve, version Lug ANSI.



## EPDM

Reference	tooltiplmage	Other description	system	Category	family	series	d	DN	PN	øA	B[5:2]	B[5:3]	C	C[5:1]	f	H	U	Z
FKOALVLM212E	-	Note: for d 2 1/2" - d 8" NBR primary liner available	PVC-U system	Manual valves	Butterfly valves	FK DN 40÷400	2" 1/2	65	10	139,7	119	80	175	110	5/8"	165	4	46
FKOALVLM300E	-	Note: for d 2 1/2" - d 8" NBR primary liner available	PVC-U system	Manual valves	Butterfly valves	FK DN 40÷400	3"	80	10	152,4	133	93	175	110	5/8"	185	12	49
FKOALVLM400E	-	Note: for d 2 1/2" - d 8" NBR primary liner available	PVC-U system	Manual valves	Butterfly valves	FK DN 40÷400	4"	100	10	190,5	147	107	272	110	5/8"	211	8	56
FKOALVLM500E	-	Note: for d 2 1/2" - d 8" NBR primary liner available	PVC-U system	Manual valves	Butterfly valves	FK DN 40÷400	5"	125	10	215,9	167	120	330	110	3/4"	240	8	64



# FKOV/LM LUG ANSI - Butterfly valve DN 40:400

Reference	tooltiplmage	Other description	system	Category	family	series	d	DN	PN	øA	B[5:2]	B[5:3]	C	C[5:1]	f	H	U	Z
FKOALVLM600E	-	Note: for d 2 1/2" - d 8" NBR primary liner available	PVC-U system	Manual valves	Butterfly valves	FK DN 40÷400	6"	150	10	241,3	180	134	330	110	3/4"	268	8	70
FKOALVLM800E	-	Note: for d 2 1/2" - d 8" NBR primary liner available	PVC-U system	Manual valves	Butterfly valves	FK DN 40÷400	8"	200	10	298,4	227	161	420	122	3/4"	323	8	71

## FKM

Reference	tooltiplmage	Other description	system	Category	family	series	d	DN	PN	øA	B[5:2]	B[5:3]	C	C[5:1]	f	H	U	Z
FKOALVLM212F	-	Note: for d 2 1/2" - d 8" NBR primary liner available	PVC-U system	Manual valves	Butterfly valves	FK DN 40÷400	2" 1/2	65	10	139,7	119	80	175	110	5/8"	165	4	46
FKOALVLM300F	-	Note: for d 2 1/2" - d 8" NBR primary liner available	PVC-U system	Manual valves	Butterfly valves	FK DN 40÷400	3"	80	10	152,4	133	93	175	110	5/8"	185	12	49
FKOALVLM400F	-	Note: for d 2 1/2" - d 8" NBR primary liner available	PVC-U system	Manual valves	Butterfly valves	FK DN 40÷400	4"	100	10	190,5	147	107	272	110	5/8"	211	8	56
FKOALVLM500F	-	Note: for d 2 1/2" - d 8" NBR primary liner available	PVC-U system	Manual valves	Butterfly valves	FK DN 40÷400	5"	125	10	215,9	167	120	330	110	3/4"	240	8	64
FKOALVLM600F	-	Note: for d 2 1/2" - d 8" NBR primary liner available	PVC-U system	Manual valves	Butterfly valves	FK DN 40÷400	6"	150	10	241,3	180	134	330	110	3/4"	268	8	70
FKOALVLM800F	-	Note: for d 2 1/2" - d 8" NBR	PVC-U system	Manual valves	Butterfly valves	FK DN 40÷400	8"	200	10	298,4	227	161	420	122	3/4"	323	8	71





# FKOV/LM LUG ANSI - Butterfly valve DN 40:400

Reference	tooltiplmage	Other description	system	Category	family	series	d	DN	PN	øA	B[5:2]	B[5:3]	C	C[5:1]	f	H	U	Z
		primary liner available																

## FKM

Reference	tooltiplmage	Other description	system	Category	family	series	d	DN	PN	øA	B[5:2]	B[5:3]	C	C[5:1]	f	H	U	Z
FKOALVLM212F0SF	-	Note: for d 2 1/2" - d 8" NBR primary liner available	PVC-U system	Manual valves	Butterfly valves	FK DN 40÷400	2" 1/2	65	10	139,7	119	80	175	110	5/8"	165	4	
FKOALVLM300F0SF	-	Note: for d 2 1/2" - d 8" NBR primary liner available	PVC-U system	Manual valves	Butterfly valves	FK DN 40÷400	3"	80	10	152,4	133	93	175	110	5/8"	185	12	
FKOALVLM400F0SF	-	Note: for d 2 1/2" - d 8" NBR primary liner available	PVC-U system	Manual valves	Butterfly valves	FK DN 40÷400	4"	100	10	190,5	147	107	272	110	5/8"	211	8	
FKOALVLM500F0SF	-	Note: for d 2 1/2" - d 8" NBR primary liner available	PVC-U system	Manual valves	Butterfly valves	FK DN 40÷400	5"	125	10	215,9	167	120	330	110	3/4"	240	8	
FKOALVLM600F0SF	-	Note: for d 2 1/2" - d 8" NBR primary liner available	PVC-U system	Manual valves	Butterfly valves	FK DN 40÷400	6"	150	10	241,3	180	134	330	110	3/4"	268	8	



# FKOV/LM LUG ANSI - Butterfly valve DN 40:400

- **Ergonomic handle** in HIPVC equipped with **locking and unlocking device, release, quick operation and graduated adjustment** in 10 intermediate positions (DN 40÷200). The operating range, starting from the first few degrees of valve opening, also guarantees extremely low pressure drops.
- **Customisable Labelling System:** integrated module in the handle, made of a transparent protection plug and a customisable tag holder using the LSE set (available as an accessory). The **customisation** lets you **identify the valve on the system** according to specific needs.
- **STAINLESS steel square section stem** completely isolated from the fluid complying with standard ISO 5211:
  - DN 40÷65: 11 mm
  - DN 80÷100: 14 mm
  - DN 125÷150: 17 mm
  - DN 200: 22 mm
  - DN 250÷400: 27 mm
- **Body** in polypropylene based **compound reinforced with fibreglass (PP-GR) resistant to UV rays** and characterised by **high mechanical strength**.
- **Drilling pattern using oval slots** that allow coupling to flanges according to numerous international standards. The special **self-centring inserts in ABS** supplied for DN 40÷200 guarantee the **correct axial alignment** of the valve during installation. For DN 250÷400 valves, the drilling pattern for the selfcentring system is of the traditional type according to DIN and ANSI standards.
- **Interchangeable liner** with the dual function of forming a hydraulic seal and isolating the body from the fluid.
- Interchangeable disk in PVC-U with through shaft, available in different thermoplastic materials: PP-H, PVC-C, ABS, PVDF
- Overall dimensions of the valve in accordance with standard ISO 5752 (DN 40÷200 Medium Series 25, DN 250÷ 300 Long Series 16) and DIN 3202 K2 and ISO 5752 (DN 65÷200 K2, DN 250÷300 K3)
- Can also be installed as an end line valve, bottom discharge valve or tank dump valve
- **Special Lug version** PN 10 fully drilled to DIN 2501 or ANSI B16.5 cl.150 with **molded-in AISI 316 STAINLESS steel threaded inserts**
- **Valve material compatibility** (PVC-U + EPDM) with water conveyance, drinking water and other food substances according to **current regulations**
- Possibility of installing a manual reducer or pneumatic and/or electric actuators by applying an ISO standard drilling PP-GR flanges. DN 40 ÷ 200 valve fitted with plate with rack in PP-GR. For actuated versions with flange drilled according to ISO 5211 F05, 07, F10. DN 250÷400 valve, fitted with one-piece top flange in high mechanical strength PP-GR with mounting flange for internal components drilled according to standard ISO 5211 F10 (excluding DN 350÷400), F12, F14.
- Possibility to have handle with integrated LSQT limit micro switch, even as a retrofit in existing installations