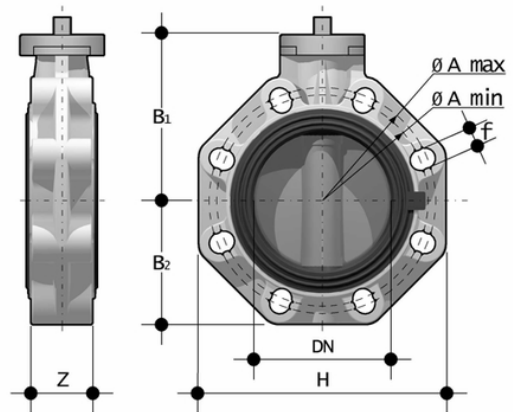


# FKOV/FM – Butterfly valve DN 40:400

Butterfly valve with bare shaft.



## EPDM

Reference	tooltiplmage	Other description	system	Category	family	series	d	DN	PN	A min	A max	øA	B <sub>1</sub>	B[5:2]	f	H	U	Z
FKOVFM050E	-	Note: for d75÷d225 NBR primary liner available FK suitable for flanged JIS K10 wafer installation is also available on request in the size 10" (DN250), 14" (DN350) and 16" (DN400). * d125, FKOV d140 with special QPV FE-FK d125 for butterfly valve (QPV125FKE) ** d200, FKOV d225 with special	PVC-U system	Manual valves	Butterfly valves	FK DN 40÷400	50 - 1"1/2	40	16	99	109	-	106	60	19	132	4	33



# FKOV/FM – Butterfly valve DN 40:400

Reference	tooltiplmage	Other description	system	Category	family	series	d	DN	PN	A min	A max	øA	B <sub>1</sub>	B[5:2]	f	H	U	Z
FKOAVFM814E	-	<p>QPV FE-FK d200 for butterfly valve (QPV200FKE) ***ISO-DIN ****ANSI B.16.5 cl.150</p> <p>Note: for d75÷d225 NBR primary liner available FK suitable for flanged JIS K10 wafer installation is also available on request in the size 10" (DN250), 14" (DN350) and 16" (DN400). * d125, FKOV d140 with special QPV FE-FK d125 for butterfly valve (QPV125FKE) ** d200, FKOV d225 with special QPV FE-FK d200 for butterfly valve (QPV200FKE) ***ISO-DIN ****ANSI B.16.5 cl.150</p>	PVC-U system	Manual valves	Butterfly valves	FK DN 40÷400	14"	350	7	-	-	476	330	280	28,5	530	12	129
FKOAVFM812E	-	<p>Note: for d75÷d225 NBR primary liner available FK suitable for flanged JIS K10 wafer installation is also available on</p>	PVC-U system	Manual valves	Butterfly valves	FK DN 40÷400	****12"	300	8	-	-	432	305	245	25,4	475	12	114





# FKOV/FM – Butterfly valve DN 40:400

Reference	tooltiplmage	Other description	system	Category	family	series	d	DN	PN	A min	A max	øA	B <sub>1</sub>	B[5:2]	f	H	U	Z	
FKOAVFM810E	-	request in the size 10" (DN250), 14" (DN350) and 16" (DN400). * d125, FKOV d140 with special QPV FE-FK d125 for butterfly valve (QPV125FKE) ** d200, FKOV d225 with special QPV FE-FK d200 for butterfly valve (QPV200FKE) ***ISO-DIN ****ANSI B.16.5 cl.150	PVC-U system	Manual valves	Butterfly valves	FK DN 40÷400	****10"	250	10	-	-	362	248	210	25,4	405	12	114	
		Note: for d75÷d225 NBR primary liner available FK suitable for flanged JIS K10 wafer installation is also available on request in the size 10" (DN250), 14" (DN350) and 16" (DN400). * d125, FKOV d140 with special QPV FE-FK d125 for butterfly valve (QPV125FKE) ** d200, FKOV d225 with special QPV FE-FK d200 for butterfly valve																	





# FKOV/FM – Butterfly valve DN 40:400

Reference	tooltiplmage	Other description	system	Category	family	series	d	DN	PN	A min	A max	øA	B <sub>1</sub>	B[5:2]	f	H	U	Z
FKOVFM400E	-	<p>(QPV200FKE)                      ***ISO-DIN                      ****ANSI                      B.16.5 cl.150</p> <p>Note: for d75÷d225 NBR primary liner available FK suitable for flanged JIS K10 wafer installation is also available on request in the size 10" (DN250), 14" (DN350) and 16" (DN400).                      * d125, FKOV d140 with special QPV FE-FK d125 for butterfly valve (QPV125FKE)                      ** d200, FKOV d225 with special QPV FE-FK d200 for butterfly valve (QPV200FKE)                      ***ISO-DIN                      ****ANSI                      B.16.5 cl.150</p>	PVC-U system	Manual valves	Butterfly valves	FK DN 40÷400	400	400	6	-	-	515	350	306	26	594	16	169
FKOVFM355E	-	<p>Note: for d75÷d225 NBR primary liner available FK suitable for flanged JIS K10 wafer installation is also available on request in the size 10" (DN250), 14" (DN350)</p>	PVC-U system	Manual valves	Butterfly valves	FK DN 40÷400	355	350	7	-	-	460	330	280	22	530	16	129





# FKOV/FM – Butterfly valve DN 40:400

Reference	tooltiplmage	Other description	system	Category	family	series	d	DN	PN	A min	A max	øA	B <sub>1</sub>	B[5:2]	f	H	U	Z	
		and 16" (DN400). * d125, FKO d140 with special QPV FE-FK d125 for butterfly valve (QPV125FKE) ** d200, FKOV d225 with special QPV FE-FK d200 for butterfly valve (QPV200FKE) ***ISO-DIN ****ANSI B.16.5 cl.150																	
FKOVFM315E	-	Note: for d75÷d225 NBR primary liner available FK suitable for flanged JIS K10 wafer installation is also available on request in the size 10" (DN250), 14" (DN350) and 16" (DN400). * d125, FKO d140 with special QPV FE-FK d125 for butterfly valve (QPV125FKE) ** d200, FKOV d225 with special QPV FE-FK d200 for butterfly valve (QPV200FKE) ***ISO-DIN ****ANSI B.16.5 cl.150	PVC-U system	Manual valves	Butterfly valves	FK DN 40÷400	315	300	8	-	-	400	305	245	22	475	12	114	





# FKOV/FM – Butterfly valve DN 40:400

Reference	tooltiplmage	Other description	system	Category	family	series	d	DN	PN	A min	A max	øA	B <sub>1</sub>	B[5:2]	f	H	U	Z
FKOVFM280E	-	Note: for d75÷d225 NBR primary liner available FK suitable for flanged JIS K10 wafer installation is also available on request in the size 10" (DN250), 14" (DN350) and 16" (DN400). * d125, FKOV d140 with special QPV FE-FK d125 for butterfly valve (QPV125FKE) ** d200, FKOV d225 with special QPV FE-FK d200 for butterfly valve (QPV200FKE) ***ISO-DIN ****ANSI B.16.5 cl.150	PVC-U system	Manual valves	Butterfly valves	FK DN 40÷400	***280	250	10	-	-	350	248	210	22	405	12	114
FKOVFM225E	-	Note: for d75÷d225 NBR primary liner available FK suitable for flanged JIS K10 wafer installation is also available on request in the size 10" (DN250), 14" (DN350) and 16" (DN400). * d125, FKOV d140 with special QPV	PVC-U system	Manual valves	Butterfly valves	FK DN 40÷400	225 - 8"	200	10	280	298	-	227	161	23	323	8	71





# FKOV/FM – Butterfly valve DN 40:400

Reference	tooltiplmage	Other description	system	Category	family	series	d	DN	PN	A min	A max	øA	B <sub>1</sub>	B[5:2]	f	H	U	Z
FKOVFM160E	-	FE-FK d125 for butterfly valve (QPV125FKE) ** d200, FKOV d225 with special QPV FE-FK d200 for butterfly valve (QPV200FKE) ***ISO-DIN ****ANSI B.16.5 cl.150	PVC-U system	Manual valves	Butterfly valves	FK DN 40÷400	160 – 6"	150	10	230	242	-	180	134	23	268	8	70
FKOVFM140E	-	Note: for d75÷d225 NBR primary liner available FK suitable for flanged JIS K10 wafer installation is also available on request in the size 10" (DN250), 14" (DN350) and 16" (DN400). * d125, FKOV d140 with special QPV FE-FK d125 for butterfly valve (QPV125FKE) ** d200, FKOV d225 with special QPV FE-FK d200 for butterfly valve (QPV200FKE) ***ISO-DIN ****ANSI B.16.5 cl.150	PVC-U system	Manual valves	Butterfly valves	FK DN 40÷400	140 – 5"	125	10	204	215	-	167	120	23	240	8	64





# FKOV/FM – Butterfly valve DN 40:400

Reference	tooltiplmage	Other description	system	Category	family	series	d	DN	PN	A min	A max	øA	B <sub>1</sub>	B[5:2]	f	H	U	Z
FKOVFM110E	-	<p>available FK suitable for flanged JIS K10 wafer installation is also available on request in the size 10" (DN250), 14" (DN350) and 16" (DN400).                      * d125, FKOV d140 with special QPV FE-FK d125 for butterfly valve (QPV125FKE)                      ** d200, FKOV d225 with special QPV FE-FK d200 for butterfly valve (QPV200FKE)                      ***ISO-DIN                      ****ANSI B.16.5 cl.150</p> <p>Note: for d75÷d225 NBR primary liner available FK suitable for flanged JIS K10 wafer installation is also available on request in the size 10" (DN250), 14" (DN350) and 16" (DN400).                      * d125, FKOV d140 with special QPV FE-FK d125 for butterfly valve (QPV125FKE)</p>	PVC-U system	Manual valves	Butterfly valves	FK DN 40÷400	110 - 4"	100	10	165	190	-	147	107	19	211	8	56







# FKOV/FM – Butterfly valve DN 40:400

Reference	tooltiplmage	Other description	system	Category	family	series	d	DN	PN	A min	A max	øA	B <sub>1</sub>	B[5:2]	f	H	U	Z
FKOVFM090E	-	<p>** d200, FKOV d225 with special QPV FE-FK d200 for butterfly valve (QPV200FKE) ***ISO-DIN ****ANSI B.16.5 cl.150</p> <p>Note: for d75÷d225 NBR primary liner available FK suitable for flanged JIS K10 wafer installation is also available on request in the size 10" (DN250), 14" (DN350) and 16" (DN400). * d125, FKOV d140 with special QPV FE-FK d125 for butterfly valve (QPV125FKE) ** d200, FKOV d225 with special QPV FE-FK d200 for butterfly valve (QPV200FKE) ***ISO-DIN ****ANSI B.16.5 cl.150</p>	PVC-U system	Manual valves	Butterfly valves	FK DN 40÷400	90 - 3"	80	10	145	160	-	133	93	19	185	12	49
FKOVFM075E	-	<p>Note: for d75÷d225 NBR primary liner available FK suitable for flanged JIS K10 wafer</p>	PVC-U system	Manual valves	Butterfly valves	FK DN 40÷400	75 - 2 1/2"	65	10	128	144	-	119	80	19	165	4	46





# FKOV/FM – Butterfly valve DN 40:400

Reference	tooltiplmage	Other description	system	Category	family	series	d	DN	PN	A min	A max	øA	B <sub>1</sub>	B[5:2]	f	H	U	Z	
		installation is also available on request in the size 10" (DN250), 14" (DN350) and 16" (DN400). * d125, FKOV d140 with special QPV FE-FK d125 for butterfly valve (QPV125FKE) ** d200, FKOV d225 with special QPV FE-FK d200 for butterfly valve (QPV200FKE) ***ISO-DIN ****ANSI B.16.5 cl.150																	
FKOVFM063E	-	Note: for d75÷d225 NBR primary liner available FK suitable for flanged JIS K10 wafer installation is also available on request in the size 10" (DN250), 14" (DN350) and 16" (DN400). * d125, FKOV d140 with special QPV FE-FK d125 for butterfly valve (QPV125FKE) ** d200, FKOV d225 with special QPV FE-FK	PVC-U system	Manual valves	Butterfly valves	FK DN 40÷400	63 - 2"	50	16	115	125,5	-	112	70	19	147	4	43	





# FKOV/FM – Butterfly valve DN 40:400

Reference	tooltiplmage	Other description	system	Category	family	series	d	DN	PN	A min	A max	øA	B <sub>1</sub>	B[5:2]	f	H	U	Z
FKOAVFM816E	-	d200 for butterfly valve (QPV200FKE) ***ISO-DIN ****ANSI B.16.5 cl.150  Note: for d75÷d225 NBR primary liner available FK suitable for flanged JIS K10 wafer installation is also available on request in the size 10" (DN250), 14" (DN350) and 16" (DN400). * d125, FKOV d140 with special QPV FE-FK d125 for butterfly valve (QPV125FKE) ** d200, FKOV d225 with special QPV FE-FK d200 for butterfly valve (QPV200FKE) ***ISO-DIN ****ANSI B.16.5 cl.150	PVC-U system	Manual valves	Butterfly valves	FK DN 40÷400	16"	400	6	-	-	540	350	306	28,5	594	16	169

## FKM

Reference	tooltiplmage	Other description	system	Category	family	series	d	DN	PN	A min	A max	øA	B <sub>1</sub>	B[5:2]	f	H	U	Z
FKOVFM050F	-	Note: for d75÷d225 NBR primary liner available FK suitable for	PVC-U system	Manual valves	Butterfly valves	FK DN 40÷400	50 – 1"1/2	40	16	99	109	-	106	60	19	132	4	33





# FKOV/FM – Butterfly valve DN 40:400

Reference	tooltiplmage	Other description	system	Category	family	series	d	DN	PN	A min	A max	øA	B <sub>1</sub>	B[5:2]	f	H	U	Z
FKOAVFM814F	-	<p>flanged JIS K10 wafer installation is also available on request in the size 10" (DN250), 14" (DN350) and 16" (DN400).                      * d125, FKOV d140 with special QPV FE-FK d125 for butterfly valve (QPV125FKE)                      ** d200, FKOV d225 with special QPV FE-FK d200 for butterfly valve (QPV200FKE)                      ***ISO-DIN                      ****ANSI                      B.16.5 cl.150</p> <p>Note: for d75÷d225 NBR primary liner available FK suitable for flanged JIS K10 wafer installation is also available on request in the size 10" (DN250), 14" (DN350) and 16" (DN400).                      * d125, FKOV d140 with special QPV FE-FK d125 for butterfly valve (QPV125FKE)                      ** d200, FKOV d225</p>	PVC-U system	Manual valves	Butterfly valves	FK DN 40÷400	14"	350	7	-	-	476	330	280	28,5	530	12	129





# FKOV/FM – Butterfly valve DN 40:400

Reference	tooltiplmage	Other description	system	Category	family	series	d	DN	PN	A min	A max	øA	B <sub>1</sub>	B[5:2]	f	H	U	Z
FKOAVFM812F	-	with special QPV FE-FK d200 for butterfly valve (QPV200FKE) ***ISO-DIN ****ANSI B.16.5 cl.150  Note: for d75÷d225 NBR primary liner available FK suitable for flanged JIS K10 wafer installation is also available on request in the size 10" (DN250), 14" (DN350) and 16" (DN400). * d125, FKOV d140 with special QPV FE-FK d125 for butterfly valve (QPV125FKE) ** d200, FKOV d225 with special QPV FE-FK d200 for butterfly valve (QPV200FKE) ***ISO-DIN ****ANSI B.16.5 cl.150	PVC-U system	Manual valves	Butterfly valves	FK DN 40÷400	****12"	300	8	-	-	432	305	245	25,4	475	12	114
FKOAVFM810F	-	Note: for d75÷d225 NBR primary liner available FK suitable for flanged JIS K10 wafer installation is also	PVC-U system	Manual valves	Butterfly valves	FK DN 40÷400	****10"	250	10	-	-	362	248	210	25,4	405	12	114





# FKOV/FM – Butterfly valve DN 40:400

Reference	tooltiplmage	Other description	system	Category	family	series	d	DN	PN	A min	A max	øA	B <sub>1</sub>	B[5:2]	f	H	U	Z
FKOVFM400F	-	<p>available on request in the size 10" (DN250), 14" (DN350) and 16" (DN400).                      * d125, FKOV d140 with special QPV FE-FK d125 for butterfly valve (QPV125FKE)                      ** d200, FKOV d225 with special QPV FE-FK d200 for butterfly valve (QPV200FKE)                      ***ISO-DIN                      ****ANSI B.16.5 cl.150</p> <p>Note: for d75÷d225 NBR primary liner available FK suitable for flanged JIS K10 wafer installation is also available on request in the size 10" (DN250), 14" (DN350) and 16" (DN400).                      * d125, FKOV d140 with special QPV FE-FK d125 for butterfly valve (QPV125FKE)                      ** d200, FKOV d225 with special QPV FE-FK d200 for butterfly</p>	PVC-U system	Manual valves	Butterfly valves	FK DN 40÷400	400	400	6	-	-	515	350	306	26	594	16	169





# FKOV/FM – Butterfly valve DN 40:400

Reference	tooltiplmage	Other description	system	Category	family	series	d	DN	PN	A min	A max	øA	B <sub>1</sub>	B[5:2]	f	H	U	Z
FKOVFM355F	-	valve (QPV200FKE) ***ISO-DIN ****ANSI B.16.5 cl.150  Note: for d75÷d225 NBR primary liner available FK suitable for flanged JIS K10 wafer installation is also available on request in the size 10" (DN250), 14" (DN350) and 16" (DN400). * d125, FKOV d140 with special QPV FE-FK d125 for butterfly valve (QPV125FKE) ** d200, FKOV d225 with special QPV FE-FK d200 for butterfly valve (QPV200FKE) ***ISO-DIN ****ANSI B.16.5 cl.150	PVC-U system	Manual valves	Butterfly valves	FK DN 40÷400	355	350	7	-	-	460	330	380	22	530	16	129
FKOVFM315F	-	Note: for d75÷d225 NBR primary liner available FK suitable for flanged JIS K10 wafer installation is also available on request in the size 10" (DN250),	PVC-U system	Manual valves	Butterfly valves	FK DN 40÷400	***315	300	8	-	-	400	305	245	22	475	12	114





# FKOV/FM – Butterfly valve DN 40:400

Reference	tooltiplmage	Other description	system	Category	family	series	d	DN	PN	A min	A max	øA	B <sub>1</sub>	B[5:2]	f	H	U	Z
FKOVFM280F	-	<p>14" (DN350) and 16" (DN400).                      * d125, FKOV d140 with special QPV FE-FK d125 for butterfly valve (QPV125FKE)                      ** d200, FKOV d225 with special QPV FE-FK d200 for butterfly valve (QPV200FKE)                      ***ISO-DIN                      ****ANSI B.16.5 cl.150</p> <p>Note: for d75÷d225 NBR primary liner available FK suitable for flanged JIS K10 wafer installation is also available on request in the size 10" (DN250), 14" (DN350) and 16" (DN400).                      * d125, FKOV d140 with special QPV FE-FK d125 for butterfly valve (QPV125FKE)                      ** d200, FKOV d225 with special QPV FE-FK d200 for butterfly valve (QPV200FKE)                      ***ISO-DIN</p>	PVC-U system	Manual valves	Butterfly valves	FK DN 40÷400	***280	250	10	-	-	350	248	210	22	405	12	114







# FKOV/FM – Butterfly valve DN 40:400

Reference	tooltiplmage	Other description	system	Category	family	series	d	DN	PN	A min	A max	øA	B <sub>1</sub>	B[5:2]	f	H	U	Z
FKOVFM225F	-	<p>****ANSI B.16.5 cl.150</p> <p>Note: for d75÷d225 NBR primary liner available FK suitable for flanged JIS K10 wafer installation is also available on request in the size 10" (DN250), 14" (DN350) and 16" (DN400). * d125, FKOV d140 with special QPV FE-FK d125 for butterfly valve (QPV125FKE) ** d200, FKOV d225 with special QPV FE-FK d200 for butterfly valve (QPV200FKE) ***ISO-DIN ****ANSI B.16.5 cl.150</p>	PVC-U system	Manual valves	Butterfly valves	FK DN 40÷400	225 - 8"	200	10	280	298	-	227	161	23	323	8	71
FKOVFM160F	-	<p>Note: for d75÷d225 NBR primary liner available FK suitable for flanged JIS K10 wafer installation is also available on request in the size 10" (DN250), 14" (DN350) and 16" (DN400).</p>	PVC-U system	Manual valves	Butterfly valves	FK DN 40÷400	160 - 6"	150	10	230	242	-	180	134	23	268	8	70





# FKOV/FM – Butterfly valve DN 40:400

Reference	tooltiplmage	Other description	system	Category	family	series	d	DN	PN	A min	A max	øA	B <sub>1</sub>	B[5:2]	f	H	U	Z
FKOVFM140F	-	<p>* d125, FKOV d140 with special QPV FE-FK d125 for butterfly valve (QPV125FKE)</p> <p>** d200, FKOV d225 with special QPV FE-FK d200 for butterfly valve (QPV200FKE)</p> <p>***ISO-DIN</p> <p>****ANSI</p> <p>B.16.5 cl.150</p> <p>Note: for d75÷d225 NBR primary liner available FK suitable for flanged JIS K10 wafer installation is also available on request in the size 10" (DN250), 14" (DN350) and 16" (DN400).</p> <p>* d125, FKOV d140 with special QPV FE-FK d125 for butterfly valve (QPV125FKE)</p> <p>** d200, FKOV d225 with special QPV FE-FK d200 for butterfly valve (QPV200FKE)</p> <p>***ISO-DIN</p> <p>****ANSI</p> <p>B.16.5 cl.150</p>	PVC-U system	Manual valves	Butterfly valves	FK DN 40÷400	140 – 5"	125	10	204	215	-	167	120	23	240	8	64





# FKOV/FM – Butterfly valve DN 40:400

Reference	tooltiplmage	Other description	system	Category	family	series	d	DN	PN	A min	A max	øA	B <sub>1</sub>	B[5:2]	f	H	U	Z
FKOVFM110F	-	Note: for d75÷d225 NBR primary liner available FK suitable for flanged JIS K10 wafer installation is also available on request in the size 10" (DN250), 14" (DN350) and 16" (DN400). * d125, FKOV d140 with special QPV FE-FK d125 for butterfly valve (QPV125FKE) ** d200, FKOV d225 with special QPV FE-FK d200 for butterfly valve (QPV200FKE) ***ISO-DIN ****ANSI B.16.5 cl.150	PVC-U system	Manual valves	Butterfly valves	FK DN 40÷400	110 - 4"	100	10	165	190	-	147	107	19	211	8	56
FKOVFM090F	-	Note: for d75÷d225 NBR primary liner available FK suitable for flanged JIS K10 wafer installation is also available on request in the size 10" (DN250), 14" (DN350) and 16" (DN400). * d125, FKOV d140 with special QPV	PVC-U system	Manual valves	Butterfly valves	FK DN 40÷400	90 - 3"	80	10	145	160	-	133	93	19	185	12	49





# FKOV/FM – Butterfly valve DN 40:400

Reference	tooltiplmage	Other description	system	Category	family	series	d	DN	PN	A min	A max	øA	B <sub>1</sub>	B[5:2]	f	H	U	Z
FKOVFM075F	-	FE-FK d125 for butterfly valve (QPV125FKE) ** d200, FKOV d225 with special QPV FE-FK d200 for butterfly valve (QPV200FKE) ***ISO-DIN ****ANSI B.16.5 cl.150	PVC-U system	Manual valves	Butterfly valves	FK DN 40÷400	75 - 2"1/2	65	10	128	144	-	119	80	19	165	4	46
FKOVFM063F	-	Note: for d75÷d225 NBR primary liner available FK suitable for flanged JIS K10 wafer installation is also available on request in the size 10" (DN250), 14" (DN350) and 16" (DN400). * d125, FKOV d140 with special QPV FE-FK d125 for butterfly valve (QPV125FKE) ** d200, FKOV d225 with special QPV FE-FK d200 for butterfly valve (QPV200FKE) ***ISO-DIN ****ANSI B.16.5 cl.150	PVC-U system	Manual valves	Butterfly valves	FK DN 40÷400	63 - 2"	50	16	115	125,5	-	112	70	19	147	4	43





# FKOV/FM – Butterfly valve DN 40:400

Reference	tooltiplmage	Other description	system	Category	family	series	d	DN	PN	A min	A max	øA	B <sub>1</sub>	B[5:2]	f	H	U	Z
FKOAVFM816F	-	<p>available FK suitable for flanged JIS K10 wafer installation is also available on request in the size 10" (DN250), 14" (DN350) and 16" (DN400).                      * d125, FKOV d140 with special QPV FE-FK d125 for butterfly valve (QPV125FKE)                      ** d200, FKOV d225 with special QPV FE-FK d200 for butterfly valve (QPV200FKE)                      ***ISO-DIN                      ****ANSI B.16.5 cl.150</p> <p>Note: for d75÷d225 NBR primary liner available FK suitable for flanged JIS K10 wafer installation is also available on request in the size 10" (DN250), 14" (DN350) and 16" (DN400).                      * d125, FKOV d140 with special QPV FE-FK d125 for butterfly valve (QPV125FKE)</p>	PVC-U system	Manual valves	Butterfly valves	FK DN 40÷400	16"	400	6	-	-	540	350	306	28,5	594	16	169





# FKOV/FM – Butterfly valve DN 40:400

Reference	tooltiplmage	Other description	system	Category	family	series	d	DN	PN	A min	A max	øA	B <sub>1</sub>	B[5:2]	f	H	U	Z
		** d200, FKOV d225 with special QPV FE-FK d200 for butterfly valve (QPV200FKE) ***ISO-DIN ****ANSI B.16.5 cl.150																

## FKM

Reference	tooltiplmage	Other description	system	Category	family	series	d	DN	PN	A min	A max	øA	B <sub>1</sub>	B[5:2]	f	H	U	Z	g
FKOVFM050FOSF	-	Note: for d75÷d225 NBR primary liner available FK suitable for flanged JIS K10 wafer installation is also available on request in the size 10" (DN250), 14" (DN350) and 16" (DN400). * d125, FKOV d140 with special QPV FE-FK d125 for butterfly valve (QPV125FKE) ** d200, FKOV d225 with special QPV FE-FK d200 for butterfly valve (QPV200FKE) ***ISO-DIN ****ANSI B.16.5 cl.150	PVC-U system	Manual valves	Butterfly valves	FK DN 40÷400	50 – 1"1/2	40	16	99	109	-	106	60	19	132	4	33	5
FKOVFM063FOSF	-	Note: for d75÷d225	PVC-U system	Manual valves	Butterfly valves	FK DN 40÷400	63 – 2"	50	16	115	125,5	-	112	70	19	147	4	43	7





# FKOV/FM – Butterfly valve DN 40:400

Reference	tooltiplmage	Other description	system	Category	family	series	d	DN	PN	A min	A max	øA	B <sub>1</sub>	B[5:2]	f	H	U	Z	g
FKOVFM075F0SF	-	<p>NBR primary liner available FK suitable for flanged JIS K10 wafer installation is also available on request in the size 10" (DN250), 14" (DN350) and 16" (DN400).                      * d125, FKOV d140 with special QPV FE-FK d125 for butterfly valve (QPV125FKE)                      ** d200, FKOV d225 with special QPV FE-FK d200 for butterfly valve (QPV200FKE)                      ***ISO-DIN                      ****ANSI B.16.5 cl.150</p> <p>Note: for d75÷d225 NBR primary liner available FK suitable for flanged JIS K10 wafer installation is also available on request in the size 10" (DN250), 14" (DN350) and 16" (DN400).                      * d125, FKOV d140 with special QPV FE-FK d125 for butterfly</p>	PVC-U system	Manual valves	Butterfly valves	FK DN 40÷400	75 - 2"1/2	65	10	128	144	-	119	80	19	165	4	46	10





# FKOV/FM – Butterfly valve DN 40:400

Reference	tooltiplmage	Other description	system	Category	family	series	d	DN	PN	A min	A max	øA	B <sub>1</sub>	B[5:2]	f	H	U	Z	g
FKOVFM090F0SF	-	valve (QPV125FKE) ** d200, FKOV d225 with special QPV FE-FK d200 for butterfly valve (QPV200FKE) ***ISO-DIN ****ANSI B.16.5 cl.150	PVC-U system	Manual valves	Butterfly valves	FK DN 40÷400	90 - 3"	80	10	145	160	-	133	93	19	185	12	49	1
FKOVFM110F0SF	-	Note: for d75÷d225 NBR primary liner available FK suitable for flanged JIS K10 wafer installation is also available on request in the size 10" (DN250), 14" (DN350) and 16" (DN400). * d125, FKOV d140 with special QPV FE-FK d125 for butterfly valve (QPV125FKE) ** d200, FKOV d225 with special QPV FE-FK d200 for butterfly valve (QPV200FKE) ***ISO-DIN ****ANSI B.16.5 cl.150	PVC-U system	Manual valves	Butterfly valves	FK DN 40÷400	110 - 4"	100	10	165	190	-	147	107	19	211	8	56	1







# FKOV/FM – Butterfly valve DN 40:400

Reference	tooltiplmage	Other description	system	Category	family	series	d	DN	PN	A min	A max	øA	B <sub>1</sub>	B[5:2]	f	H	U	Z	g
FKOVFM140F0SF	-	<p>flanged JIS K10 wafer installation is also available on request in the size 10" (DN250), 14" (DN350) and 16" (DN400).                      * d125, FKOV d140 with special QPV FE-FK d125 for butterfly valve (QPV125FKE)                      ** d200, FKOV d225 with special QPV FE-FK d200 for butterfly valve (QPV200FKE)                      ***ISO-DIN                      ****ANSI                      B.16.5 cl.150</p> <p>Note: for d75÷d225 NBR primary liner available FK suitable for flanged JIS K10 wafer installation is also available on request in the size 10" (DN250), 14" (DN350) and 16" (DN400).                      * d125, FKOV d140 with special QPV FE-FK d125 for butterfly valve (QPV125FKE)                      ** d200, FKOV d225</p>	PVC-U system	Manual valves	Butterfly valves	FK DN 40÷400	140 - 5"	125	10	204	215	-	167	120	23	240	8	64	2





# FKOV/FM – Butterfly valve DN 40:400

Reference	tooltiplmage	Other description	system	Category	family	series	d	DN	PN	A min	A max	øA	B <sub>1</sub>	B[5:2]	f	H	U	Z	g
FKOVFM160F0SF	-	<p>with special QPV FE-FK d200 for butterfly valve (QPV200FKE) ***ISO-DIN ****ANSI B.16.5 cl.150</p> <p>Note: for d75÷d225 NBR primary liner available FK suitable for flanged JIS K10 wafer installation is also available on request in the size 10" (DN250), 14" (DN350) and 16" (DN400). * d125, FKOV d140 with special QPV FE-FK d125 for butterfly valve (QPV125FKE) ** d200, FKOV d225 with special QPV FE-FK d200 for butterfly valve (QPV200FKE) ***ISO-DIN ****ANSI B.16.5 cl.150</p>	PVC-U system	Manual valves	Butterfly valves	FK DN 40÷400	160 - 6"	150	10	230	242	-	180	134	23	268	8	70	3



# FKOV/FM – Butterfly valve DN 40:400

- **Ergonomic handle** in HIPVC equipped with **locking and unlocking device, release, quick operation and graduated adjustment** in 10 intermediate positions (DN 40÷200). The operating range, starting from the first few degrees of valve opening, also guarantees extremely low pressure drops.
- **Customisable Labelling System:** integrated module in the handle, made of a transparent protection plug and a customisable tag holder using the LSE set (available as an accessory). The **customisation** lets you **identify the valve on the system** according to specific needs.
- **STAINLESS steel square section stem** completely isolated from the fluid complying with standard ISO 5211:
  - DN 40÷65: 11 mm
  - DN 80÷100: 14 mm
  - DN 125÷150: 17 mm
  - DN 200: 22 mm
  - DN 250÷400: 27 mm
- **Body** in polypropylene based **compound reinforced with fibreglass (PP-GR) resistant to UV rays** and characterised by **high mechanical strength**.
- **Drilling pattern using oval slots** that allow coupling to flanges according to numerous international standards. The special **self-centring inserts in ABS** supplied for DN 40÷200 guarantee the **correct axial alignment** of the valve during installation. For DN 250÷400 valves, the drilling pattern for the selfcentring system is of the traditional type according to DIN and ANSI standards.
- **Interchangeable liner** with the dual function of forming a hydraulic seal and isolating the body from the fluid.
- Interchangeable disk in PVC-U with through shaft, available in different thermoplastic materials: PP-H, PVC-C, ABS, PVDF
- Overall dimensions of the valve in accordance with standard ISO 5752 (DN 40÷200 Medium Series 25, DN 250÷ 300 Long Series 16) and DIN 3202 K2 and ISO 5752 (DN 65÷200 K2, DN 250÷300 K3)
- Can also be installed as an end line valve, bottom discharge valve or tank dump valve
- **Special Lug version** PN 10 fully drilled to DIN 2501 or ANSI B16.5 cl.150 with **molded-in AISI 316 STAINLESS steel threaded inserts**
- **Valve material compatibility** (PVC-U + EPDM) with water conveyance, drinking water and other food substances according to **current regulations**
- Possibility of installing a manual reducer or pneumatic and/or electric actuators by applying an ISO standard drilling PP-GR flanges. DN 40 ÷ 200 valve fitted with plate with rack in PP-GR. For actuated versions with flange drilled according to ISO 5211 F05, 07, F10. DN 250÷400 valve, fitted with one-piece top flange in high mechanical strength PP-GR with mounting flange for internal components drilled according to standard ISO 5211 F10 (excluding DN 350÷400), F12, F14.
- Possibility to have handle with integrated LSQT limit micro switch, even as a retrofit in existing installations