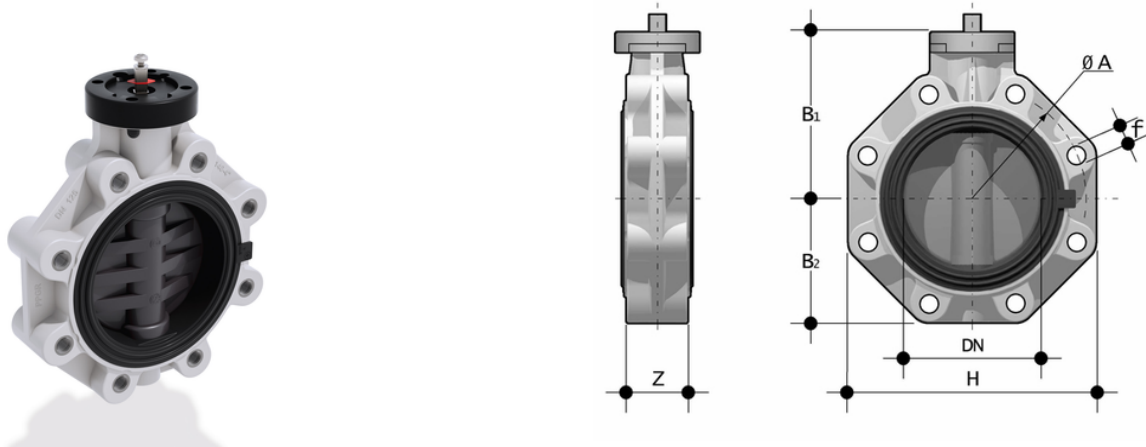


FKOV/FM LUG ISO-DIN - Butterfly valve DN 40:400

Butterfly valve with bare shaft, version Lug ISO-DIN.



EPDM

Reference	tooltiplmage	Other description	system	Category	family	series	d	DN	PN	øA	B ₁	B[5:2]	f	H	U	Z	g
FKOLVFM075E	-	Note: for d75÷d225 NBR primary liner available * d125, FKOV d140 with special QPV FE-FK d125 for butterfly valve (QPV125FKE) ** d200, FKOV d225 with special QPV FE-FK d200 for butterfly valve (QPV200FKE)	PVC-U system	Manual valves	Butterfly valves	FK DN 40÷400	75	65	10	145	119	80	M16	165	4	46	1400
FKOLVFM090E	-	Note: for d75÷d225 NBR primary liner available * d125, FKOV	PVC-U system	Manual valves	Butterfly valves	FK DN 40÷400	90	80	10	160	133	93	M16	185	12	49	2200

FKOV/FM LUG ISO-DIN - Butterfly valve DN 40:400

Reference	tooltiplmage	Other description	system	Category	family	series	d	DN	PN	øA	B ₁	B[5:2]	f	H	U	Z	g
FKOLVFM110E	-	d140 with special QPV FE-FK d125 for butterfly valve (QPV125FKE) ** d200, FKOV d225 with special QPV FE-FK d200 for butterfly valve (QPV200FKE) Note: for d75÷d225 NBR primary liner available * d125, FKOV d140 with special QPV FE-FK d125 for butterfly valve (QPV125FKE) ** d200, FKOV d225 with special QPV FE-FK d200 for butterfly valve (QPV200FKE)	PVC-U system	Manual valves	Butterfly valves	FK DN 40÷400	110	100	10	180	147	107	M16	211	8	56	2550
FKOLVFM140E	-	Note: for d75÷d225 NBR primary liner available * d125, FKOV d140 with special QPV FE-FK d125 for butterfly valve (QPV125FKE) ** d200, FKOV d225 with special QPV FE-FK d200 for butterfly valve (QPV200FKE)	PVC-U system	Manual valves	Butterfly valves	FK DN 40÷400	140	125	10	210	167	120	M16	240	8	64	4150

FKOV/FM LUG ISO-DIN - Butterfly valve DN 40:400

Reference	tooltiplmage	Other description	system	Category	family	series	d	DN	PN	øA	B ₁	B[5:2]	f	H	U	Z	g
FKOLVFM160E	-	Note: for d75÷d225 NBR primary liner available * d125, FKOV d140 with special QPV FE-FK d125 for butterfly valve (QPV125FKE) ** d200, FKOV d225 with special QPV FE-FK d200 for butterfly valve (QPV200FKE)	PVC-U system	Manual valves	Butterfly valves	FK DN 40÷400	160	150	10	240	180	134	M20	268	8	70	4900
FKOLVFM225E	-	Note: for d75÷d225 NBR primary liner available * d125, FKOV d140 with special QPV FE-FK d125 for butterfly valve (QPV125FKE) ** d200, FKOV d225 with special QPV FE-FK d200 for butterfly valve (QPV200FKE)	PVC-U system	Manual valves	Butterfly valves	FK DN 40÷400	225	200	10	295	227	161	M20	323	8	71	7600

FKM

Reference	tooltiplmage	Other description	system	Category	family	series	d	DN	PN	øA	B ₁	B[5:2]	f	H	U	Z	g
FKOLVFM075F	-	Note: for d75÷d225 NBR primary liner available * d125, FKOV d140 with special QPV	PVC-U system	Manual valves	Butterfly valves	FK DN 40÷400	75	65	10	145	119	80	M16	165	4	46	1400



FKOV/FM LUG ISO-DIN - Butterfly valve DN 40:400

Reference	tooltiplmage	Other description	system	Category	family	series	d	DN	PN	øA	B ₁	B[5:2]	f	H	U	Z	g
		FE-FK d125 for butterfly valve (QPV125FKE) ** d200, FKOV d225 with special QPV FE-FK d200 for butterfly valve (QPV200FKE)															
FKOLVFM090F	-	Note: for d75÷d225 NBR primary liner available * d125, FKOV d140 with special QPV FE-FK d125 for butterfly valve (QPV125FKE) ** d200, FKOV d225 with special QPV FE-FK d200 for butterfly valve (QPV200FKE)	PVC-U system	Manual valves	Butterfly valves	FK DN 40÷400	90	80	10	160	133	93	M16	185	12	49	2200
FKOLVFM110F	-	Note: for d75÷d225 NBR primary liner available * d125, FKOV d140 with special QPV FE-FK d125 for butterfly valve (QPV125FKE) ** d200, FKOV d225 with special QPV FE-FK d200 for butterfly valve (QPV200FKE)	PVC-U system	Manual valves	Butterfly valves	FK DN 40÷400	110	100	10	180	147	107	M16	211	8	56	2550





FKOV/FM LUG ISO-DIN - Butterfly valve DN 40:400

Reference	tooltiplmage	Other description	system	Category	family	series	d	DN	PN	øA	B ₁	B[5:2]	f	H	U	Z	g
FKOLVFM140F	-	Note: for d75÷d225 NBR primary liner available * d125, FKOV d140 with special QPV FE-FK d125 for butterfly valve (QPV125FKE) ** d200, FKOV d225 with special QPV FE-FK d200 for butterfly valve (QPV200FKE)	PVC-U system	Manual valves	Butterfly valves	FK DN 40÷400	140	125	10	210	167	120	M16	240	8	64	4150
FKOLVFM160F	-	Note: for d75÷d225 NBR primary liner available * d125, FKOV d140 with special QPV FE-FK d125 for butterfly valve (QPV125FKE) ** d200, FKOV d225 with special QPV FE-FK d200 for butterfly valve (QPV200FKE)	PVC-U system	Manual valves	Butterfly valves	FK DN 40÷400	160	150	10	240	180	134	M20	268	8	70	4900
FKOLVFM225F	-	Note: for d75÷d225 NBR primary liner available * d125, FKOV d140 with special QPV FE-FK d125 for butterfly valve (QPV125FKE) ** d200, FKOV d225	PVC-U system	Manual valves	Butterfly valves	FK DN 40÷400	225	200	10	295	227	161	M20	323	8	71	7600





FKOV/FM LUG ISO-DIN - Butterfly valve DN 40:400

Reference	tooltiplmage	Other description	system	Category	family	series	d	DN	PN	øA	B ₁	B[5:2]	f	H	U	Z	g
		with special QPV FE-FK d200 for butterfly valve (QPV200FKE)															

FKM

Reference	tooltiplmage	Other description	system	Category	family	series	d	DN	PN	øA	B ₁	B[5:2]	f	H	U	Z	g
FKOLVFM075F0SF	-	Note: for d75÷d225 NBR primary liner available * d125, FKOV d140 with special QPV FE-FK d125 for butterfly valve (QPV125FKE) ** d200, FKOV d225 with special QPV FE-FK d200 for butterfly valve (QPV200FKE)	PVC-U system	Manual valves	Butterfly valves	FK DN 40÷400	75	65	10	145	119	80	M16	165	4	46	1400
FKOLVFM090F0SF	-	Note: for d75÷d225 NBR primary liner available * d125, FKOV d140 with special QPV FE-FK d125 for butterfly valve (QPV125FKE) ** d200, FKOV d225 with special QPV FE-FK d200 for butterfly valve (QPV200FKE)	PVC-U system	Manual valves	Butterfly valves	FK DN 40÷400	90	80	10	160	133	93	M16	185	12	49	2200





FKOV/FM LUG ISO-DIN - Butterfly valve DN 40:400

Reference	tooltiplmage	Other description	system	Category	family	series	d	DN	PN	øA	B ₁	B[5:2]	f	H	U	Z	g
FKOLVFM110F0SF	-	Note: for d75÷d225 NBR primary liner available * d125, FKOV d140 with special QPV FE-FK d125 for butterfly valve (QPV125FKE) ** d200, FKOV d225 with special QPV FE-FK d200 for butterfly valve (QPV200FKE)	PVC-U system	Manual valves	Butterfly valves	FK DN 40÷400	110	100	10	180	147	107	M16	211	8	56	2550
FKOLVFM140F0SF	-	Note: for d75÷d225 NBR primary liner available * d125, FKOV d140 with special QPV FE-FK d125 for butterfly valve (QPV125FKE) ** d200, FKOV d225 with special QPV FE-FK d200 for butterfly valve (QPV200FKE)	PVC-U system	Manual valves	Butterfly valves	FK DN 40÷400	140	125	10	210	167	120	M16	240	8	64	4150
FKOLVFM160F0SF	-	Note: for d75÷d225 NBR primary liner available * d125, FKOV d140 with special QPV FE-FK d125 for butterfly valve (QPV125FKE) ** d200, FKOV d225	PVC-U system	Manual valves	Butterfly valves	FK DN 40÷400	160	150	10	240	180	134	M20	268	8	70	4900





FKOV/FM LUG ISO-DIN - Butterfly valve DN 40:400

Reference	tooltiplimage	Other description	system	Category	family	series	d	DN	PN	øA	B ₁	B[5:2]	f	H	U	Z	g
		with special QPV FE-FK d200 for butterfly valve (QPV200FKE)															



FKOV/FM LUG ISO-DIN - Butterfly valve DN 40:400

- **Ergonomic handle** in HIPVC equipped with **locking and unlocking device, release, quick operation and graduated adjustment** in 10 intermediate positions (DN 40÷200). The operating range, starting from the first few degrees of valve opening, also guarantees extremely low pressure drops.
- **Customisable Labelling System:** integrated module in the handle, made of a transparent protection plug and a customisable tag holder using the LSE set (available as an accessory). The **customisation** lets you **identify the valve on the system** according to specific needs.
- **STAINLESS steel square section stem** completely isolated from the fluid complying with standard ISO 5211:
 - DN 40÷65: 11 mm
 - DN 80÷100: 14 mm
 - DN 125÷150: 17 mm
 - DN 200: 22 mm
 - DN 250÷400: 27 mm
- **Body** in polypropylene based **compound reinforced with fibreglass (PP-GR)** **resistant to UV rays** and characterised by **high mechanical strength**.
- **Drilling pattern using oval slots** that allow coupling to flanges according to numerous international standards. The special **self-centring inserts in ABS** supplied for DN 40÷200 guarantee the **correct axial alignment** of the valve during installation. For DN 250÷400 valves, the drilling pattern for the selfcentring system is of the traditional type according to DIN and ANSI standards.
- **Interchangeable liner** with the dual function of forming a hydraulic seal and isolating the body from the fluid.
- Interchangeable disk in PVC-U with through shaft, available in different thermoplastic materials: PP-H, PVC-C, ABS, PVDF
- Overall dimensions of the valve in accordance with standard ISO 5752 (DN 40÷200 Medium Series 25, DN 250÷ 300 Long Series 16) and DIN 3202 K2 and ISO 5752 (DN 65÷200 K2, DN 250÷300 K3)
- Can also be installed as an end line valve, bottom discharge valve or tank dump valve
- **Special Lug version** PN 10 fully drilled to DIN 2501 or ANSI B16.5 cl.150 with **molded-in AISI 316 STAINLESS steel threaded inserts**
- **Valve material compatibility** (PVC-U + EPDM) with water conveyance, drinking water and other food substances according to **current regulations**
- Possibility of installing a manual reducer or pneumatic and/or electric actuators by applying an ISO standard drilling PP-GR flanges. DN 40 ÷ 200 valve fitted with plate with rack in PP-GR. For actuated versions with flange drilled according to ISO 5211 F05, 07, F10. DN 250÷400 valve, fitted with one-piece top flange in high mechanical strength PP-GR with mounting flange for internal components drilled according to standard ISO 5211 F10 (excluding DN 350÷400), F12, F14.
- Possibility to have handle with integrated LSQT limit micro switch, even as a retrofit in existing installations