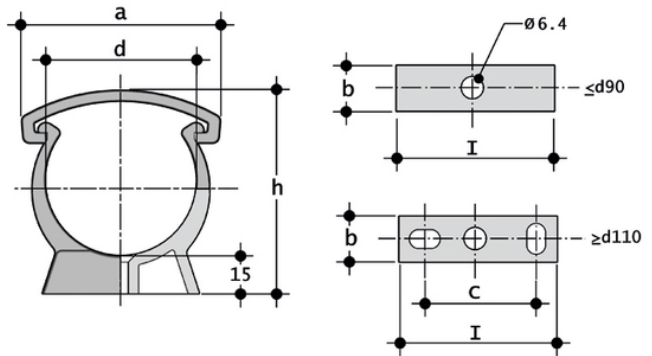


ZIKM - Pipe Clips

Pipe clip for ISO-DIN pipes in PP.



Reference	Other description	system	Category	d	a	b	C	h	l	g
ZIKM016	for pipe support systems, refer to guidelines DVS 2210-1 (Planning and execution - above-ground pipe systems)	Special parts and accessories	Accessories for pipes	16	26	18	-	33	16	5
ZIKM020	for pipe support systems, refer to guidelines DVS 2210-1 (Planning and execution - above-ground pipe systems)	Special parts and accessories	Accessories for pipes	20	33	14	-	38	20	6,4
ZIKM025	for pipe support systems, refer to guidelines DVS 2210-1 (Planning and execution - above-ground pipe systems)	Special parts and accessories	Accessories for pipes	25	41	14	-	44	25	7,8
ZIKM032	for pipe support systems, refer to guidelines DVS 2210-1 (Planning and execution - above-ground pipe systems)	Special parts and accessories	Accessories for pipes	32	49	15	-	51	32	11,5
ZIKM040	for pipe support systems, refer to guidelines DVS 2210-1 (Planning and execution - above-ground pipe systems)	Special parts and accessories	Accessories for pipes	40	58	16	-	60	40	15,7
ZIKM050	for pipe support systems, refer to guidelines DVS 2210-1 (Planning and execution - above-ground pipe systems)	Special parts and accessories	Accessories for pipes	50	68	17	-	71	60	23,2
ZIKM063	for pipe support systems, refer to guidelines DVS 2210-1 (Planning and execution - above-ground pipe systems)	Special parts and accessories	Accessories for pipes	63	83	18	-	84	63	28,8
ZIKM075	for pipe support systems, refer to guidelines DVS 2210-1 (Planning and execution - above-ground pipe systems)	Special parts and accessories	Accessories for pipes	75	96	19	-	97	75	35,5

ZIKM - Pipe Clips

Reference	Other description	system	Category	d	a	b	C	h	l	g
ZIKM090	for pipe support systems, refer to guidelines DVS 2210-1 (Planning and execution - above-ground pipe systems)	Special parts and accessories	Accessories for pipes	90	113	20	-	113	90	52,4
ZIKM110	for pipe support systems, refer to guidelines DVS 2210-1 (Planning and execution - above-ground pipe systems)	Special parts and accessories	Accessories for pipes	110	139	23	40	134	125	71
ZIKM140	for pipe support systems, refer to guidelines DVS 2210-1 (Planning and execution - above-ground pipe systems)	Special parts and accessories	Accessories for pipes	140	177	27	70	167	155	149,5
ZIKM160	for pipe support systems, refer to guidelines DVS 2210-1 (Planning and execution - above-ground pipe systems)	Special parts and accessories	Accessories for pipes	160	210	30	90	190	180	218,4
ZIKM180	for pipe support systems, refer to guidelines DVS 2210-1 (Planning and execution - above-ground pipe systems)	Special parts and accessories	Accessories for pipes	180	237	33	100	211	200	293,6