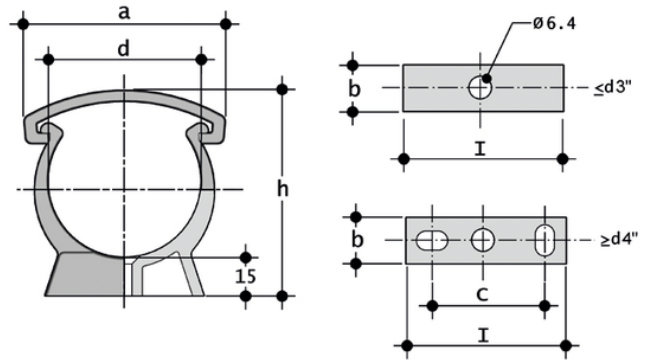


ZAKM – Pipe Clips

Pipe clip for ASTM pipes in PP.



Reference	Other description	system	Category	d	a	b	C	h	l	g
ZAKM012	for pipe support systems, refer to guidelines DVS 2210-1 (Planning and execution - above-ground pipe systems)	Special parts and accessories	Accessories for pipes	1/2"	33	14	-	39	20	7
ZAKM034	for pipe support systems, refer to guidelines DVS 2210-1 (Planning and execution - above-ground pipe systems)	Special parts and accessories	Accessories for pipes	3/4"	41	14	-	45	25	7,8
ZAKM100	for pipe support systems, refer to guidelines DVS 2210-1 (Planning and execution - above-ground pipe systems)	Special parts and accessories	Accessories for pipes	1"	49	15	-	52	32	11,7
ZAKM114	for pipe support systems, refer to guidelines DVS 2210-1 (Planning and execution - above-ground pipe systems)	Special parts and accessories	Accessories for pipes	1 1/4"	58	16	-	61	40	16
ZAKM112	for pipe support systems, refer to guidelines DVS 2210-1 (Planning and execution - above-ground pipe systems)	Special parts and accessories	Accessories for pipes	1 1/2"	68	17	-	67	50	17,9
ZAKM200	for pipe support systems, refer to guidelines DVS 2210-1 (Planning and execution - above-ground pipe systems)	Special parts and accessories	Accessories for pipes	2"	83	18	-	80	63	29
ZAKM212	for pipe support systems, refer to guidelines DVS 2210-1 (Planning and execution - above-ground pipe systems)	Special parts and accessories	Accessories for pipes	2 1/2"	96	19	-	96	75	36
ZAKM300	for pipe support systems, refer to guidelines DVS 2210-1 (Planning and execution - above-ground pipe systems)	Special parts and accessories	Accessories for pipes	3"	118	20	-	110	90	52,3

ZAKM – Pipe Clips

Reference	Other description	system	Category	d	a	b	C	h	l	g
ZAKM400	for pipe support systems, refer to guidelines DVS 2210-1 (Planning and execution - above-ground pipe systems)	Special parts and accessories	Accessories for pipes	4"	140	25	60	135	140	74
ZAKM600	for pipe support systems, refer to guidelines DVS 2210-1 (Planning and execution - above-ground pipe systems)	Special parts and accessories	Accessories for pipes	6"	197	30	90	196	180	188