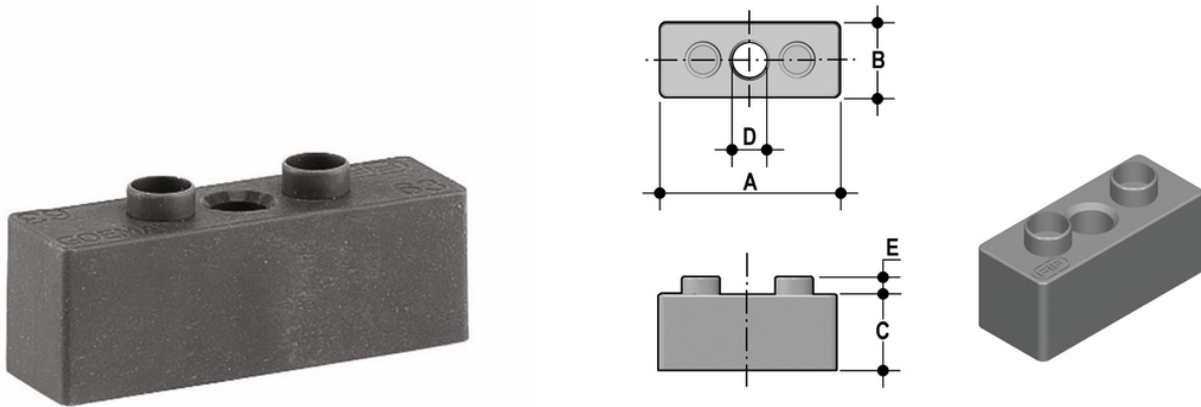


# DSM - Distance plate

Distance plates in PP for ZIKM pipe clips.



Reference	tooltiplmage	Other description	system	Category	d	A	B	C	D	E	g	Pack	Master
DSM032	-	for pipe support systems, refer to guidelines DVS 2210-1 (Planning and execution - above-ground pipe systems)	Special parts and accessories	Accessories for pipes	32	33	16	14	8	4	6,4	20	120
DSM040	-	for pipe support systems, refer to guidelines DVS 2210-1 (Planning and execution - above-ground pipe systems)	Special parts and accessories	Accessories for pipes	40	41	17	17	8	4	8,2	10	80
DSM050	-	for pipe support systems, refer to guidelines DVS 2210-1 (Planning and execution - above-ground pipe systems)	Special parts and accessories	Accessories for pipes	50	51	18	17	8	4	9,8	10	50
DSM063	-	for pipe support systems, refer to guidelines DVS 2210-1 (Planning and execution - above-ground pipe systems)	Special parts and accessories	Accessories for pipes	63	64	19	22,5	8	4	13,4	10	40
DSM075	-	for pipe support systems, refer to guidelines DVS 2210-1 (Planning and execution - above-ground pipe systems)	Special parts and accessories	Accessories for pipes	75	76	20	34,5	8	4	20,2	10	40