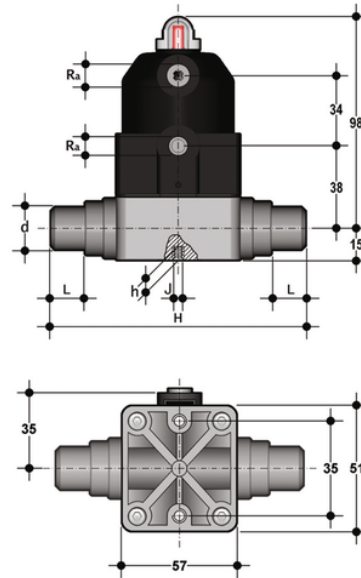


CMDM/CP DA – Pneumatically actuated compact diaphragm valve DN 12:15

Pneumatically actuated compact diaphragm valve with metric plain spigot ends for socket welding, Double Acting.



EPDM

Reference	tooltiplmage	system	Category	family	series	d	DN	PN	B ₁	R _α	L	H	h	J	g
CMDMDA020E	-	Automation system	Pneumatically actuated valves	Diaphragm valves	CM/CP DN 12÷15	20	15	6	12.5	G 1/4"	17	124	8	M5	300

FKM

Reference	tooltiplmage	system	Category	family	series	d	DN	PN	B ₁	R _α	L	H	h	J	g
CMDMDA020F	-	Automation system	Pneumatically actuated valves	Diaphragm valves	CM/CP DN 12÷15	20	15	6	12.5	G 1/4"	17	124	8	M5	300

PTFE

Reference	tooltiplmage	system	Category	family	series	d	DN	PN	B ₁	R _α	L	H	h	J	g
CMDMDA020P	-	Automation system	Pneumatically actuated valves	Diaphragm valves	CM/CP DN 12÷15	20	15	6	12.5	G 1/4"	17	124	8	M5	300