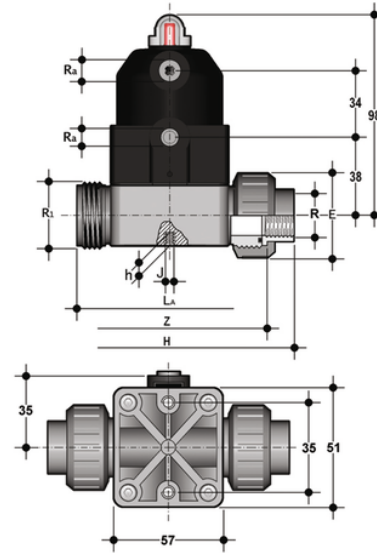


# CMUFV/CP NO – Pneumatically actuated compact diaphragm valve DN 12:15

Pneumatically actuated compact diaphragm valve with unionised BS parallel socket threaded ends, Normally Open.



## EPDM

Reference	system	Category	family	series	R	DN	PN	E	R <sub>1</sub>	R <sub>a</sub>	L <sub>a</sub>	Z	H	h	J	g
CMUFVNO012E	Automation system	Pneumatically actuated valves	Diaphragm valves	CM/CP DN 12÷15	1/2"	15	6	41	1"	G 1/4"	90	97.5	129.5	8	M5	340

## FKM

Reference	system	Category	family	series	R	DN	PN	E	R <sub>1</sub>	R <sub>a</sub>	L <sub>a</sub>	Z	H	h	J	g
CMUFVNO012F	Automation system	Pneumatically actuated valves	Diaphragm valves	CM/CP DN 12÷15	1/2"	15	6	41	1"	G 1/4"	90	97.5	129.5	8	M5	340

## PTFE

Reference	system	Category	family	series	R	DN	PN	E	R <sub>1</sub>	R <sub>a</sub>	L <sub>a</sub>	Z	H	h	J	g
CMUFVNO012P	Automation system	Pneumatically actuated valves	Diaphragm valves	CM/CP DN 12÷15	1/2"	15	6	41	1"	G 1/4"	90	97.5	129.5	8	M5	340

# CMUFV/CP NO – Pneumatically actuated compact diaphragm valve DN 12:15

The new compact and light piston actuator in PP-GR makes the CM/CP the ideal choice for applications requiring very frequent valve operation and a long valve lifetime.

- Compact and lightweight piston actuator in PP-GR, free of exposed metallic parts, particularly suited for use in severe environmental and chemically aggressive conditions.
- High strength IXEF piston guarantees high reliability over time without maintenance.
- High visibility graduated optical position indicator protected by a transparent cap with a seal O-Ring.
- The valve is impervious to fluids containing impurities
- It has an high flow rate
- It can be installed in any position
- It has an extremely compact structure
- It is actuated by a dry running piston and does not require maintenance
- It has no protruding screws and is fully free of impurity deposits
- Allows for an easy diaphragm seal replacement
- The Standard version valve comes with a position indicator.