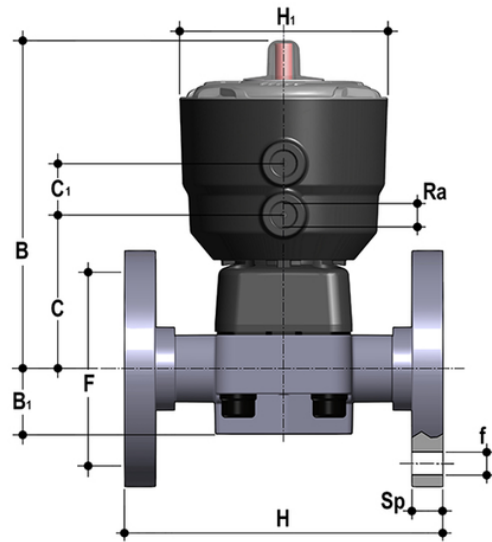


DKOV/CP DA – Pneumatically actuated 2-way diaphragm valve PN 10 DN 15:65

Pneumatically actuated diaphragm valve with flanged monolithic body, drilled PN10/16. Face to face according to EN 558-1. Double-Acting function.



EPDM

| Reference | system | Category | family | series | d | DN | PN | B | B ₁ | C | C ₁ | F | product.detail.attribute.Øf | H | H ₁ | R[5:a] | U | |
|------------|-------------------|-------------------------------|------------------|----------------|----|----|----|-----|----------------|-----|----------------|-----|-----------------------------|---|----------------|--------|------|---|
| DKOVDA020E | Automation system | Pneumatically actuated valves | Diaphragm valves | DK/CP DN 15÷65 | 20 | 15 | 10 | 148 | 25 | 66 | 24 | 65 | 14 | | 130 | 97 | 1/4" | 4 |
| DKOVDA025E | Automation system | Pneumatically actuated valves | Diaphragm valves | DK/CP DN 15÷65 | 25 | 20 | 10 | 151 | 30 | 69 | 24 | 75 | 14 | | 150 | 97 | 1/4" | 4 |
| DKOVDA032E | Automation system | Pneumatically actuated valves | Diaphragm valves | DK/CP DN 15÷65 | 32 | 25 | 10 | 159 | 33 | 78 | 24 | 85 | 14 | | 160 | 97 | 1/4" | 4 |
| DKOVDA040E | Automation system | Pneumatically actuated valves | Diaphragm valves | DK/CP DN 15÷65 | 40 | 32 | 10 | 163 | 30 | 82 | 24 | 100 | 18 | | 180 | 97 | 1/4" | 4 |
| DKOVDA050E | Automation system | Pneumatically actuated valves | Diaphragm valves | DK/CP DN 15÷65 | 50 | 40 | 10 | 207 | 35 | 112 | 24 | 110 | 18 | | 200 | 126 | 1/4" | 4 |
| DKOVDA063E | Automation system | Pneumatically actuated valves | Diaphragm valves | DK/CP | 63 | 50 | 10 | 245 | 46 | 142 | 24 | 125 | 18 | | 230 | 157 | 1/4" | 4 |



DKOV/CP DA – Pneumatically actuated 2-way diaphragm valve PN 10 DN 15:65

| Reference | system | Category | family | series | d | DN | PN | B | B ₁ | C | C ₁ | F | product.detail.attribute.Øf | H | H ₁ | R[5:a] | U | |
|------------|-------------------|-------------------------------|------------------|----------------|----|----|----|-----|----------------|-----|----------------|-----|-----------------------------|---|----------------|--------|------|---|
| DKOVDA075E | Automation system | Pneumatically actuated valves | Diaphragm valves | DK/CP DN 15÷65 | 75 | 65 | 10 | 245 | 46 | 142 | 24 | 145 | 18 | | 290 | 157 | 1/4" | 4 |

FKM

| Reference | system | Category | family | series | d | DN | PN | B | B ₁ | C | C ₁ | F | product.detail.attribute.Øf | H | H ₁ | R[5:a] | U | |
|------------|-------------------|-------------------------------|------------------|----------------|----|----|----|-----|----------------|-----|----------------|-----|-----------------------------|---|----------------|--------|------|---|
| DKOVDA020F | Automation system | Pneumatically actuated valves | Diaphragm valves | DK/CP DN 15÷65 | 20 | 15 | 10 | 148 | 25 | 66 | 24 | 65 | 14 | | 130 | 97 | 1/4" | 4 |
| DKOVDA025F | Automation system | Pneumatically actuated valves | Diaphragm valves | DK/CP DN 15÷65 | 25 | 20 | 10 | 151 | 30 | 69 | 24 | 75 | 14 | | 150 | 97 | 1/4" | 4 |
| DKOVDA032F | Automation system | Pneumatically actuated valves | Diaphragm valves | DK/CP DN 15÷65 | 32 | 25 | 10 | 159 | 33 | 78 | 24 | 85 | 14 | | 160 | 97 | 1/4" | 4 |
| DKOVDA040F | Automation system | Pneumatically actuated valves | Diaphragm valves | DK/CP DN 15÷65 | 40 | 32 | 10 | 163 | 30 | 82 | 24 | 100 | 18 | | 180 | 97 | 1/4" | 4 |
| DKOVDA050F | Automation system | Pneumatically actuated valves | Diaphragm valves | DK/CP DN 15÷65 | 50 | 40 | 10 | 207 | 35 | 112 | 24 | 110 | 18 | | 200 | 126 | 1/4" | 4 |
| DKOVDA063F | Automation system | Pneumatically actuated valves | Diaphragm valves | DK/CP DN 15÷65 | 63 | 50 | 10 | 245 | 46 | 142 | 24 | 125 | 18 | | 230 | 157 | 1/4" | 4 |
| DKOVDA075F | Automation system | Pneumatically actuated valves | Diaphragm valves | DK/CP DN 15÷65 | 75 | 65 | 10 | 245 | 46 | 142 | 24 | 145 | 18 | | 290 | 157 | 1/4" | 4 |

PTFE

| Reference | system | Category | family | series | d | DN | PN | B | B ₁ | C | C ₁ | F | product.detail.attribute.Øf | H | H ₁ | R[5:a] | U | |
|------------|-------------------|-------------------------------|------------------|----------------|----|----|----|-----|----------------|----|----------------|----|-----------------------------|---|----------------|--------|------|---|
| DKOVDA020P | Automation system | Pneumatically actuated valves | Diaphragm valves | DK/CP DN 15÷65 | 20 | 15 | 10 | 148 | 25 | 66 | 24 | 65 | 14 | | 130 | 97 | 1/4" | 4 |



DKOV/CP DA – Pneumatically actuated 2-way diaphragm valve

PN 10 DN 15:65

| Reference | system | Category | family | series | d | DN | PN | B | B ₁ | C | C ₁ | F | product.detail.attribute.Øf | H | H ₁ | R[5:a] | U | |
|------------|-------------------|-------------------------------|------------------|----------------|----|----|----|-----|----------------|-----|----------------|-----|-----------------------------|---|----------------|--------|------|---|
| DKOVDA025P | Automation system | Pneumatically actuated valves | Diaphragm valves | DK/CP DN 15÷65 | 25 | 20 | 10 | 151 | 30 | 69 | 24 | 75 | 14 | | 150 | 97 | 1/4" | 4 |
| DKOVDA032P | Automation system | Pneumatically actuated valves | Diaphragm valves | DK/CP DN 15÷65 | 32 | 25 | 10 | 159 | 33 | 78 | 24 | 85 | 14 | | 160 | 97 | 1/4" | 4 |
| DKOVDA040P | Automation system | Pneumatically actuated valves | Diaphragm valves | DK/CP DN 15÷65 | 40 | 32 | 10 | 163 | 30 | 82 | 24 | 100 | 18 | | 180 | 97 | 1/4" | 4 |
| DKOVDA050P | Automation system | Pneumatically actuated valves | Diaphragm valves | DK/CP DN 15÷65 | 50 | 40 | 10 | 207 | 35 | 112 | 24 | 110 | 18 | | 200 | 126 | 1/4" | 4 |
| DKOVDA063P | Automation system | Pneumatically actuated valves | Diaphragm valves | DK/CP DN 15÷65 | 63 | 50 | 10 | 245 | 46 | 142 | 24 | 125 | 18 | | 230 | 157 | 1/4" | 4 |
| DKOVDA075P | Automation system | Pneumatically actuated valves | Diaphragm valves | DK/CP DN 15÷65 | 75 | 65 | 10 | 245 | 46 | 142 | 24 | 145 | 18 | | 290 | 157 | 1/4" | 4 |

DKOV/CP DA – Pneumatically actuated 2-way diaphragm valve PN 10 DN 15:65

The new compact and light piston actuator in PP-GR makes the DK/CP the ideal choice for applications requiring very frequent valve operation and a long valve lifetime.

- **High visibility graduated optical position indicator** protected by a transparent cap with a seal O-Ring
- **Compact and light piston in PP-GR**, ideal for heavy-duty applications in chemically aggressive environments with a **diaphragm perimeter containment system** that ensures the perfect compression of the rubber without any lateral expansion
- **Piston in high strength IXEF®**. The high quality finishing of the external surface guarantees perfect slidability over the seal and ensures a long working life without any actuator maintenance
- High strength **stainless steel stem** with double seal O-Ring. Floating **pin connection** between the actuator stem and diaphragm to prevent concentrated loads, improve the seal and extend its lifetime
- Actuator equipped with **6 independent cartridge springs** arranged radially to uniformly distribute the load on the piston
- **Dual function main gasket. Piston seal:** the gasket does not move but sits securely on the actuator cylinder instead of the piston. **External seal:** the gasket positioned above the threaded joint between the bonnet and cylinder ensures that the coupling is not stressed by the pressure inside the actuator
- Easy installation in confined spaces: **compressed air inlets with G 1/4" threaded adjustable connections** to enable alignment with the piping. PPGR connections prevent any risk of corrosion
- **New valve body internal design. Substantially higher flow coefficient** and lower pressure drops. The degree of efficiency reached has also enabled the **size and weight of the valve to be reduced. Adjustment linearity:** the internal profiles of the valve greatly improve its characteristic curve, allowing **extremely sensitive and precise adjustment** along the entire length of the shutter stroke
- Joint system for solvent welding (PVC-U and PVC-C only), for welding (PP-H and PVDF only), for threading and flanging
- **Optimised fluid dynamic design:** maximum output flow rate thanks to the optimised efficiency of the fluid dynamics that characterise the new internal geometry of the body
- **Internal operating components in metal totally isolated from the conveyed fluid** and external environment
- **Modularity of the range:** only 2 hand wheels and 4 diaphragms and bonnet sizes for 7 different valve sizes
- Non-salient hand wheel, equipped with a graduated optical indicator and protected by a transparent PVC cap with sealing O-ring
- Bonnet fastening screws in STAINLESS steel protected by PE plugs Absence of metal parts exposed to the external environment to prevent any risk of corrosion
- **New flanged bodies:** the new bodies, characterised by a monolithic flanged structure, are available in PVC-U, PVC-C, PP-H and PVDF. This design, free of joints between the body and flanges, greatly reduces mechanical stress and increases system performance
- **CDSA seal system** (Circular Diaphragm Sealing Angle) with a uniform distribution of the shutter pressure on the sealing membrane offers the following advantages:
 - Operating torque reduction
 - Reduced mechanical stress on all valve components (actuator, body and diaphragm)
 - Low risk of the accumulation of deposits, contamination or damage to the diaphragm due to crystallisation
 - Easy to clean valve interior