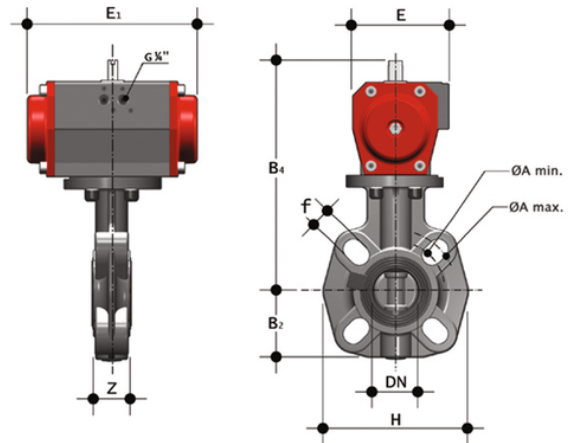


FEOV/CP DA - Pneumatically actuated butterfly valve DN 40:65

Butterfly valve with pneumatic actuator, Double-Acting function.



EPDM

Reference	tooltiplmage	system	Category	family	series	d	DN	PN	B ₂	H	Z	Amin	Amax	f	U	B ₄	E	E ₁	g
FEOVDA050E	-	Automation system	Pneumatically actuated valves	Butterfly valves	FE/CP DN 40÷200	50-1"1/2	40	16	60	132	33	93.5	109	19	4	209	86	155	2170
FEOVDA063E	-	Automation system	Pneumatically actuated valves	Butterfly valves	FE/CP DN 40÷200	63-2"	50	16	70	147	43	108	124	19	4	215	86	155	2350
FEOVDA075E	-	Automation system	Pneumatically actuated valves	Butterfly valves	FE/CP DN 40÷200	75-2"1/2	65	10	80	165	46	128	144	19	4	222	86	155	2580

FKM

Reference	tooltiplmage	system	Category	family	series	d	DN	PN	B ₂	H	Z	Amin	Amax	f	U	B ₄	E	E ₁	g
FEOVDA050F	-	Automation system	Pneumatically actuated valves	Butterfly valves	FE/CP DN 40÷200	50-1"1/2	40	16	60	132	33	93.5	109	19	4	209	86	155	2170
FEOVDA063F	-	Automation system	Pneumatically actuated valves	Butterfly valves	FE/CP DN 40÷200	63-2"	50	16	70	147	43	108	124	19	4	215	86	155	2350
FEOVDA075F	-	Automation system	Pneumatically actuated valves	Butterfly valves	FE/CP DN 40÷200	75-2"1/2	65	10	80	165	46	128	144	19	4	222	86	155	2580

FEOV/CP DA - Pneumatically actuated butterfly valve DN 40:65

In addition to the manually actuated version, FE is also available in FE/ CE electrically actuated and FE/CP pneumatically actuated configurations. FE/CD and FE/CP are constructed with actuators meeting current regulations and selected by FIP according to their quality and reliability requirements. The efficiency of these valves, tested according to the company's quality standards, is guaranteed by the expertise and know-how that FIP dedicates to manufacturing its products.

- Electric actuator constructed according to FIP specifications; with plastic shell and standard emergency override. Available with voltages from 12 to 240V.
- Rack & pinion type pneumatic actuator constructed according to FIP specifications: fully protected against weather corrosion available in double-acting (DA) or simple-acting normally closed (NC) or normally open (NO) versions.
- Drilling pattern with oval slots that allow coupling to flanges according to numerous international standards.
- Interchangeable liner with the dual function of forming a hydraulic seal and isolating the body from the fluid.

- Disk in PVC-U with through shaft
- Zinc plated square section steel stem completely isolated from the fluid complying with standard ISO 5211:
- DN 40÷65: 11 mm
- DN 80÷100: 14 mm
- DN 125÷150: 17 mm
- DN 200: 22mm
- Can also be installed as an end line valve, bottom discharge valve or tank dump valve
- Valve material compatibility (PVC-U) with water conveyance, drinking water and other food substances according to current regulations
- Possibility of directly installing pneumatic and/or electric actuators with a standard drilling pattern according to standard ISO 5211 F05, F07, F10