

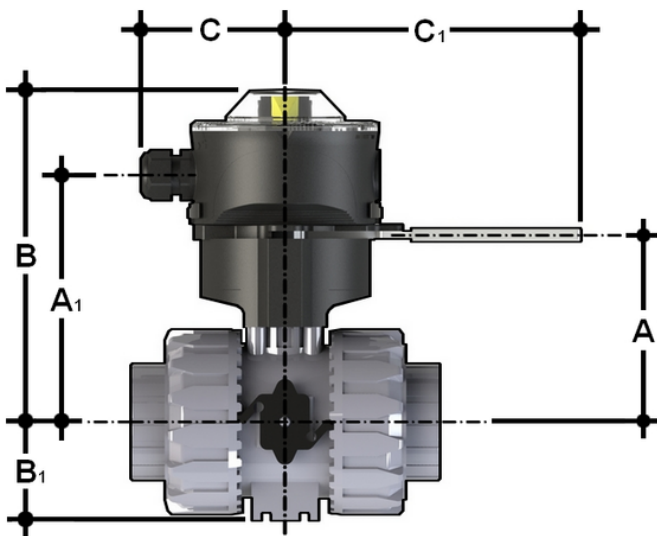
LS Quick Kit DN10-50

The Limit Switch Quick Kit allows the fast and secure installation of the FIP LSQT to the VKD and TKD valves.

The body is in PP-GR and the handle in stainless steel AISI 316.

The handle block at 0° and 90° is also available by default (hole diameter 6.5 mm).

The kit can be assembled on the valve even if already installed on the system.



Reference	tooltiplmage	Other description	system	Category	family	DN	A	A[5:1]	B	B ₁	C	C ₁
LSQKIT20	-	* For TKD only * For TKD only	Special parts and accessories	Accessories for manual valves	Accessories for DualBlock ball valves	10-15	60	91,5	137	29	76,5	157
LSQKIT25	-	* For TKD only * For TKD only	Special parts and accessories	Accessories for manual valves	Accessories for DualBlock ball valves	20	71	102,5	148	34,5	76,5	157
LSQKIT32	-	* For TKD only * For TKD only	Special parts and accessories	Accessories for manual valves	Accessories for DualBlock ball valves	25	76	107,5	153	39	76,5	157
LSQKIT40	-	* For TKD only * For TKD only	Special parts and accessories	Accessories for manual valves	Accessories for DualBlock ball valves	32	93	124,5	170	46	76,5	157
LSQKIT50	-	* For TKD only * For TKD only	Special parts and accessories	Accessories for manual valves	Accessories for DualBlock ball valves	40	99	130,5	176	52	76,5	157



LS Quick Kit DN10-50

Reference	tooltiplImage	Other description	system	Category	family	DN	A	A[5:1]	B	B ₁	C	C ₁
LSQKIT63	-	* For TKD only 90° rotation	Special parts and accessories	Accessories for manual valves	Accessories for DualBlock ball valves	50	116	147,5	193	62	76,5	15,