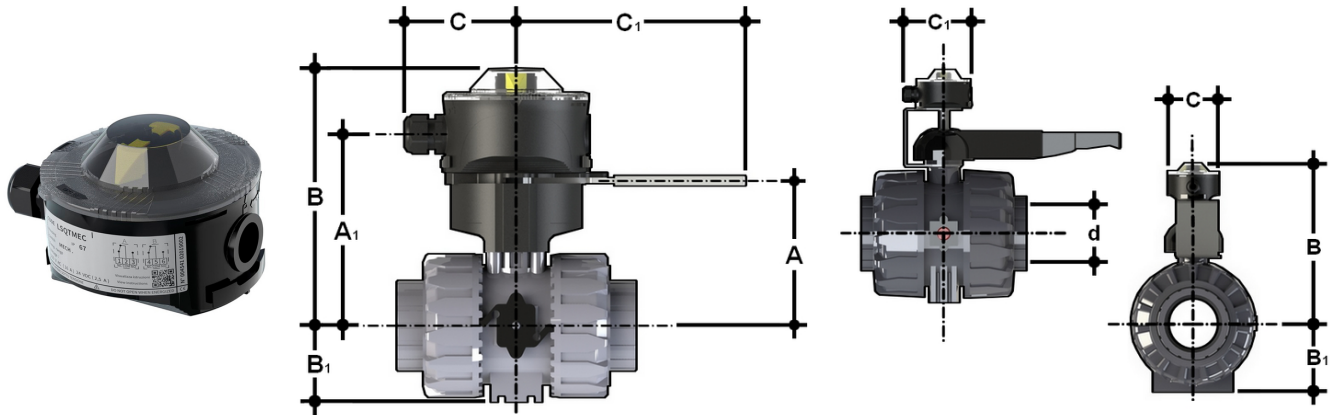


LSQTMEC Electromechanical microswitches box

IP67 box containing two electro-mechanical microswitches and configurable optical indicator



Reference	tooltiplmage	system	Category	family	DN	To be used with:
LSQTMEC	-	Special parts and accessories	Accessories for manual valves	Accessories for DualBlock ball valves	10-100	VKD - TKD