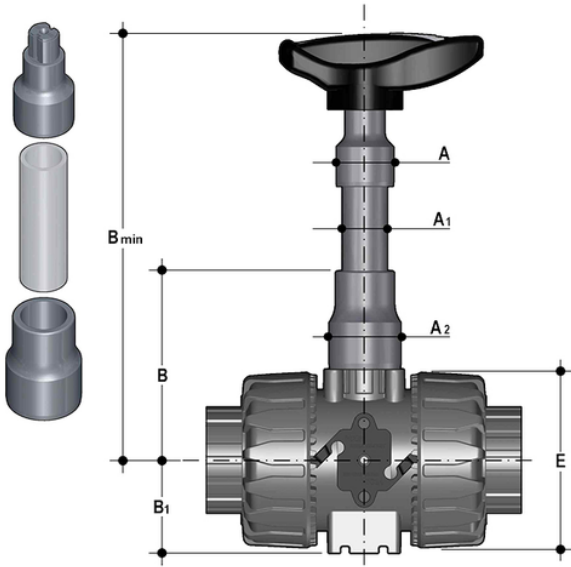


PSKD Stem extension

Stem extension kit to be assembled on PVC-U metric pipe (not included)



Reference	tooltiplmage	system	Category	family	DN	A	A[5:1]	A[5:2]	E	B	B ₁	B [5:min]	Ø Pipe	to be used with:	product.det
PSKD020	-	Special parts and accessories	Accessories for manual valves	Accessories for DualBlock ball valves	10-15	32	25	32	54	70	29	139,5	25	VKD-TKD	-
PSKD025	-	Special parts and accessories	Accessories for manual valves	Accessories for DualBlock ball valves	20	32	25	40	65	89	34,5	164,5	25	VKD-TKD	Pipe not incl
PSKD032	-	Special parts and accessories	Accessories for manual valves	Accessories for DualBlock ball valves	25	32	25	40	73	93,5	39	169	25	VKD-TKD	Pipe not incl
PSKD040	-	Special parts and accessories	Accessories for manual valves	Accessories for DualBlock ball valves	32	40	32	50	86	110	46	200	32	VKD-TKD	Pipe not incl
PSKD050	-	Special parts and accessories	Accessories for manual valves	Accessories for DualBlock ball valves	40	40	32	50	98	116	52	206	32	VKD-TKD	Pipe not incl
PSKD063	-	Special parts and accessories	Accessories for manual valves	Accessories for DualBlock ball valves	50	40	32	59	122	122	62	225	32	VKD-TKD	Pipe not incl