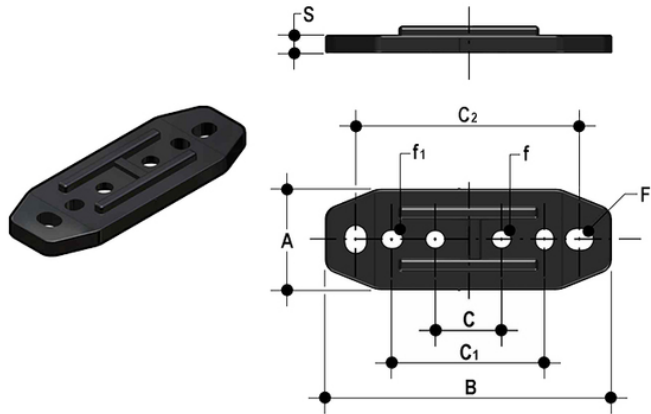


PMKD Wall mounting plate

Wall mounting and distance plate.



Reference	tooltiplmage	system	Category	family	DN	A	B	C	C[5:1]	C[5:2]	F	f	f[5:1]	S	to be used with:
PMKD1	-	Special parts and accessories	Accessories for manual valves	Accessories for DualBlock ball valves	25	30	86	20	46	67,5	6,5	5,3	5,5	5	VKD-VKR
PMKD2	-	Special parts and accessories	Accessories for manual valves	Accessories for DualBlock ball valves	50	40	122	30	72	102	6,5	6,3	6,5	6	VKD-VKR