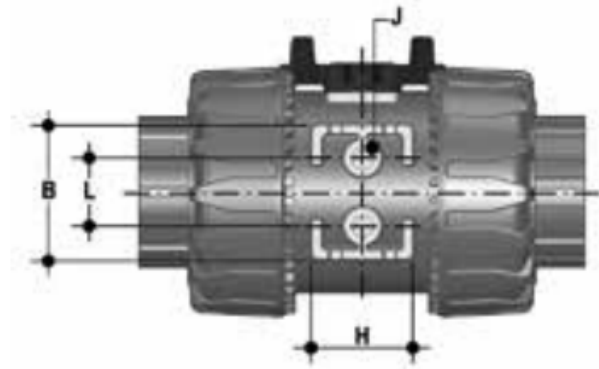


# Fastening Inserts

Fastening inserts available in Stainless Steel for valves in PP-H and PVDF or Brass for valves in PVC-U and PVC-C.



| Reference | tooltiplmage | system                        | Category                      | family                                | DN    | product.detail.attribute.Threads | product.detail.attribute.Material |
|-----------|--------------|-------------------------------|-------------------------------|---------------------------------------|-------|----------------------------------|-----------------------------------|
| SINSM04O  | -            | Special parts and accessories | Accessories for manual valves | Accessories for DualBlock ball valves | 10-25 | M4                               | Brass                             |
| SINSM04X  | -            | Special parts and accessories | Accessories for manual valves | Accessories for DualBlock ball valves | 10-25 | M4                               | Stainless Steel                   |
| SINSM06O  | -            | Special parts and accessories | Accessories for manual valves | Accessories for DualBlock ball valves | 32-50 | M6                               | Brass                             |
| SISNM06X  | -            | Special parts and accessories | Accessories for manual valves | Accessories for DualBlock ball valves | 32-50 | M6                               | Stainless Steel                   |