

LS Quick Kit

The Limit Switch Quick Kit allows the fast and secure installation of the FIP LSQT module onto the FK valves: an electromechanical or inductive microswitch box to detect the valve position (open or closed).

The kit can be assembled on the valve even if already installed on the system.

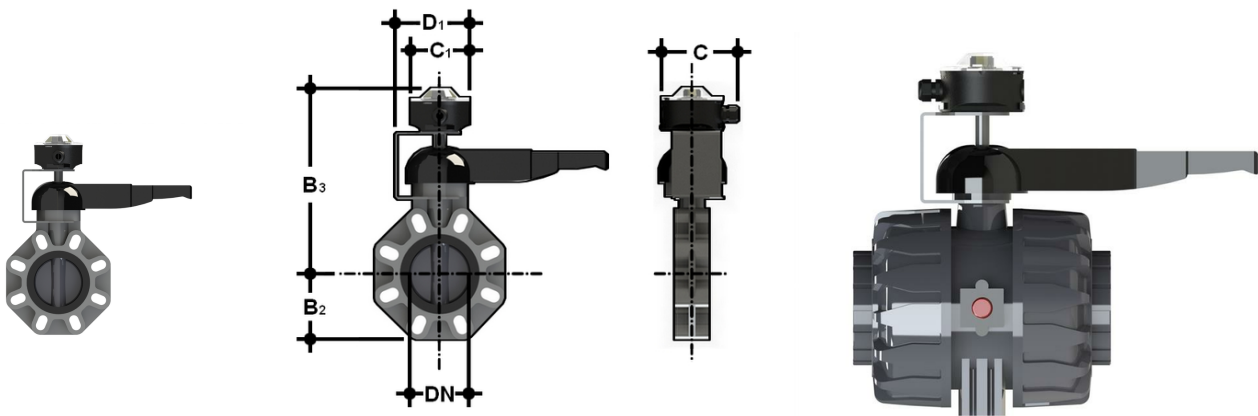
This kit can be assembled also on VKD DN65-100 Dualblock ball valves.

For technical data of LSQT boxes see dedicated pages:

[LSQTMEC](#)

[LSQTPNP](#)

[LSQTNAM](#)



Reference	tootiplmage	system	Category	family	DN	B[5:2]	B[5:3]	C	C[5:1]	D[5:1]	product.detail.attribute.To be used with	pr be
LSQKITFK5063	-	Special parts and accessories	Accessories for manual valves	Accessories for butterfly valves	40	60	260,5	126,9	103	123,5	FK - VKD	-
LSQKITFK5063	-	Special parts and accessories	Accessories for manual valves	Accessories for butterfly valves	50	70	266,5	126,9	103	123,5	FK - VKD	-
LSQKIT75160	-	Special parts and accessories	Accessories for manual valves	Accessories for butterfly valves	65	80	273,5	126,9	103	123,5	FK - VKD	-
LSQKIT75160	-	Special parts and accessories	Accessories for manual valves	Accessories for butterfly valves	80	93	287,5	126,9	103	123,5	FK - VKD	-
LSQKIT75160	-	Special parts and accessories	Accessories for manual valves	Accessories for butterfly valves	100	107	301,5	126,9	103	123,5	FK - VKD	-
LSQKIT75160	-	Special parts and accessories	Accessories for manual valves	Accessories for butterfly valves	125	120	321,5	126,9	103	123,5	FK - VKD	-



LS Quick Kit

Reference	tooltiplmage	system	Category	family	DN	B[5:2]	B[5:3]	C	C[5:1]	D[5:1]	product.detail.attribute.To be used with	pr be
LSQKIT75160	-	Special parts and accessories	Accessories for manual valves	Accessories for butterfly valves	150	134	334,5	126,9	103	123,5	FK - VKD	-
LSQKIT225	-	Special parts and accessories	Accessories for manual valves	Accessories for butterfly valves	200	161	385	126,9	103	129,8	-	FK