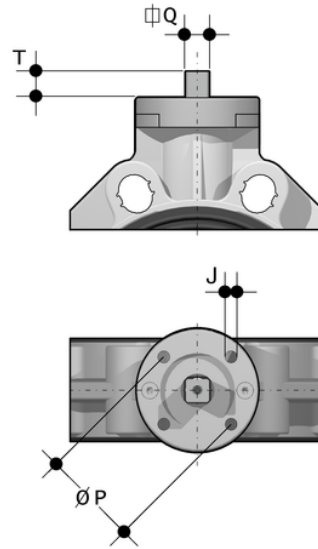
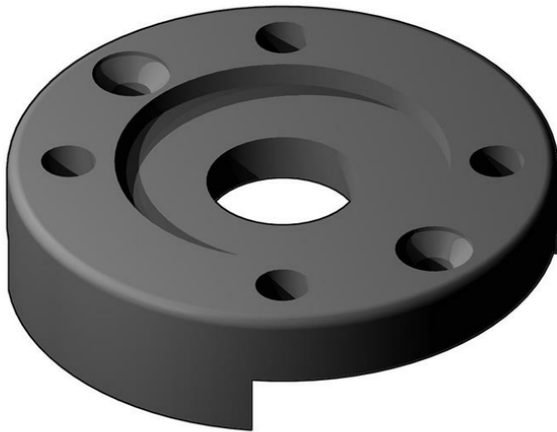


Actuation Adaptor

ISO adaptor for actuator installation on butterfly valves series FK-LM



Reference	system	Category	family	DN	J	P	T	Q	To be used with:
FKADA160	Special parts and accessories	Accessories for manual valves	Accessories for butterfly valves	40 - 50 - 65 - 80 - 100 - 125 - 150	7 - 7 - 7/9 - 9 - 9 - 9 - 9	F05 - F05 - F05/F07 - F07 - F07 - F07 - F07	12 - 12 - 12 - 16 - 16 - 19 - 19	11 - 11 - 11 - 14 - 14 - 17 - 17	FK-LM
FKADA225	Special parts and accessories	Accessories for manual valves	Accessories for butterfly valves	200	11	F10	24	22	FK-LM