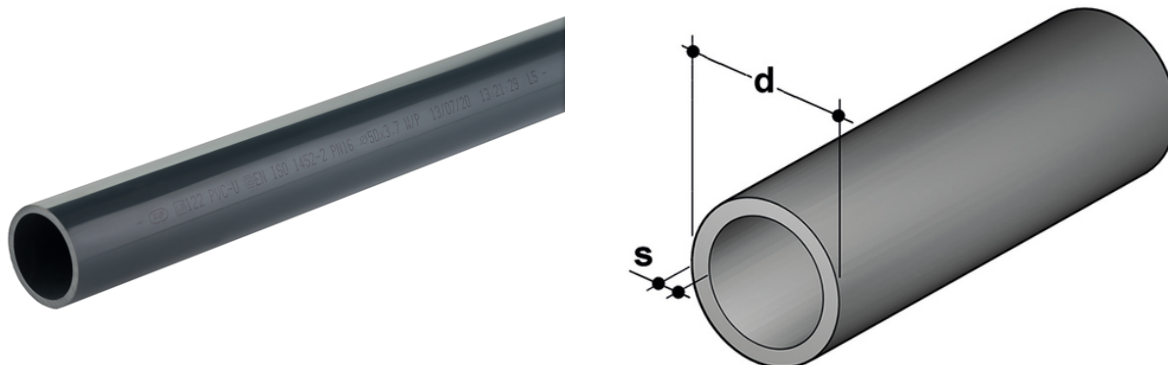


# Pressure pipe PN16 SDR 11 – SDR 13,6

PVC-U pressure pipe according to standards EN ISO 15493 and DIN 8061/8062, dark gray RAL 7011, standard length 5m.



Reference	system	Category	family	d	S mm	Kg/m
PIPEV11016	PVC-U system	Pipes	PVC-U Pipe DIN-8061/8062	16	1,5	0,109
PIPEV13020	PVC-U system	Pipes	PVC-U Pipe DIN-8061/8062	20	1,5	0,140
PIPEV13025	PVC-U system	Pipes	PVC-U Pipe DIN-8061/8062	25	1,9	0,216
PIPEV13032	PVC-U system	Pipes	PVC-U Pipe DIN-8061/8062	32	2,4	0,351
PIPEV13040	PVC-U system	Pipes	PVC-U Pipe DIN-8061/8062	40	3,0	0,539
PIPEV13050	PVC-U system	Pipes	PVC-U Pipe DIN-8061/8062	50	3,7	0,831
PIPEV13063	PVC-U system	Pipes	PVC-U Pipe DIN-8061/8062	63	4,7	1,323
PIPEV13075	PVC-U system	Pipes	PVC-U Pipe DIN-8061/8062	75	5,6	1,877
PIPEV13090	PVC-U system	Pipes	PVC-U Pipe DIN-8061/8062	90	6,7	2,681
PIPEV13110	PVC-U system	Pipes	PVC-U Pipe DIN-8061/8062	110	8,1	3,940
PIPEV13125	PVC-U system	Pipes	PVC-U Pipe DIN-8061/8062	125	9,2	5,070
PIPEV13140	PVC-U system	Pipes	PVC-U Pipe DIN-8061/8062	140	10,3	6,563
PIPEV13160	PVC-U system	Pipes	PVC-U Pipe DIN-8061/8062	160	11,8	8,563