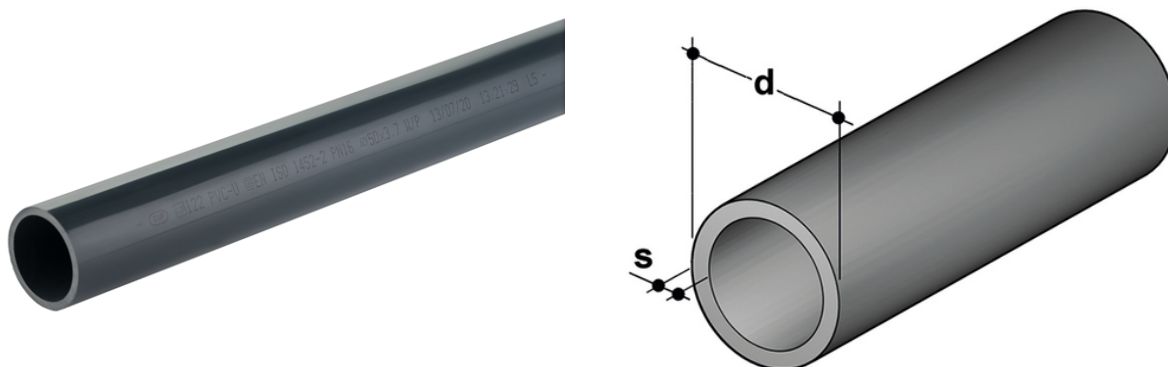


# Pressure Pipe PN16 SDR 11 – SDR 13,6 – SDR 17

PVC-U pressure pipe according to standard EN ISO 1452, dark gray RAL 7011, standard length 5m.



Reference	system	Category	family	series	d	S mm	Kg/m
PIPEV11016	PVC-U system	Pipes	PVC-U Pipe EN-ISO-1452	PN16 pipe	16	1,5	0,109
PIPEV13020	PVC-U system	Pipes	PVC-U Pipe EN-ISO-1452	PN16 pipe	20	1,5	0,140
PIPEV13025	PVC-U system	Pipes	PVC-U Pipe EN-ISO-1452	PN16 pipe	25	1,9	0,216
PIPEV13032	PVC-U system	Pipes	PVC-U Pipe EN-ISO-1452	PN16 pipe	32	2,4	0,351
PIPEV13040	PVC-U system	Pipes	PVC-U Pipe EN-ISO-1452	PN16 pipe	40	3,0	0,539
PIPEV13050	PVC-U system	Pipes	PVC-U Pipe EN-ISO-1452	PN16 pipe	50	3,7	0,831
PIPEV13063	PVC-U system	Pipes	PVC-U Pipe EN-ISO-1452	PN16 pipe	63	4,7	1,323
PIPEV13075	PVC-U system	Pipes	PVC-U Pipe EN-ISO-1452	PN16 pipe	75	5,6	1,877
PIPEV13090	PVC-U system	Pipes	PVC-U Pipe EN-ISO-1452	PN16 pipe	90	6,7	2,681
PIPEV17110	PVC-U system	Pipes	PVC-U Pipe EN-ISO-1452	PN16 pipe	110	6,6	3,289
PIPEV17125	PVC-U system	Pipes	PVC-U Pipe EN-ISO-1452	PN16 pipe	125	7,4	4,194
PIPEV17140	PVC-U system	Pipes	PVC-U Pipe EN-ISO-1452	PN16 pipe	140	8,3	5,265
PIPEV17160	PVC-U system	Pipes	PVC-U Pipe EN-ISO-1452	PN16 pipe	160	9,5	6,872