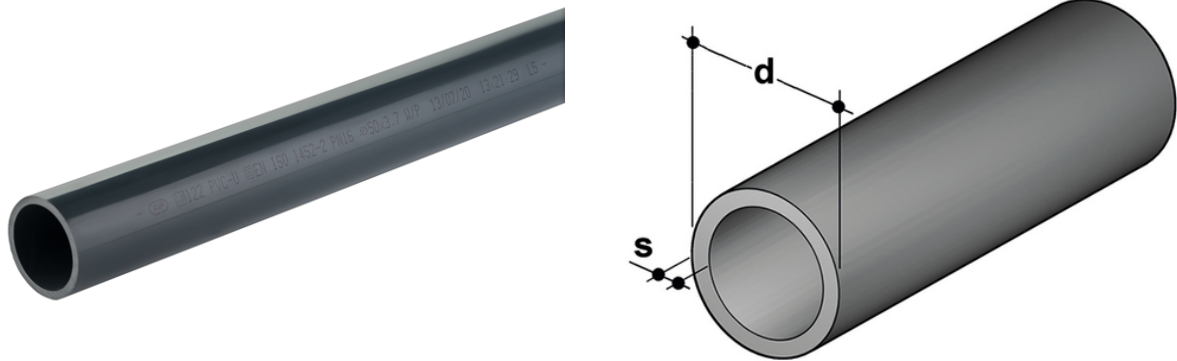


# Pressure pipe PN10 SDR 21

PVC-U pressure pipe according to standards EN ISO 15493 and DIN 8061/8062, dark gray RAL 7011, standard length 5m.



Reference	Other description	system	Category	family	d	S mm	Kg/m
PIPEV21032	*resale product	PVC-U system	Pipes	PVC-U Pipe DIN-8061/8062	32	1,6	0,246
PIPEV21040	*resale product	PVC-U system	Pipes	PVC-U Pipe DIN-8061/8062	40	1,9	0,360
PIPEV21050	*resale product	PVC-U system	Pipes	PVC-U Pipe DIN-8061/8062	50	2,4	0,567
PIPEV21063	*resale product	PVC-U system	Pipes	PVC-U Pipe DIN-8061/8062	63	3	0,878
PIPEV21075	*resale product	PVC-U system	Pipes	PVC-U Pipe DIN-8061/8062	75	3,6	1,258
PIPEV21090	*resale product	PVC-U system	Pipes	PVC-U Pipe DIN-8061/8062	90	4,3	1,798
PIPEV21110	*resale product	PVC-U system	Pipes	PVC-U Pipe DIN-8061/8062	110	5,3	2,670
PIPEV21125	*resale product	PVC-U system	Pipes	PVC-U Pipe DIN-8061/8062	125	6	3,410
PIPEV21140	*resale product	PVC-U system	Pipes	PVC-U Pipe DIN-8061/8062	140	6,7	4,412
PIPEV21160	*resale product	PVC-U system	Pipes	PVC-U Pipe DIN-8061/8062	160	7,7	5,780
PIPEV21180	*resale product	PVC-U system	Pipes	PVC-U Pipe DIN-8061/8062	180	8,6	7,462
PIPEV21200	*resale product	PVC-U system	Pipes	PVC-U Pipe DIN-8061/8062	200	9,6	8,990
PIPEV21225	*resale product	PVC-U system	Pipes	PVC-U Pipe DIN-8061/8062	225	10,8	11,356
PIPEV21250	*resale product	PVC-U system	Pipes	PVC-U Pipe DIN-8061/8062	250	11,9	13,892
PIPEV21280	*resale product	PVC-U system	Pipes	PVC-U Pipe DIN-8061/8062	280	13,4	17,529
PIPEV21315	*resale product	PVC-U system	Pipes	PVC-U Pipe DIN-8061/8062	315	15	22,020