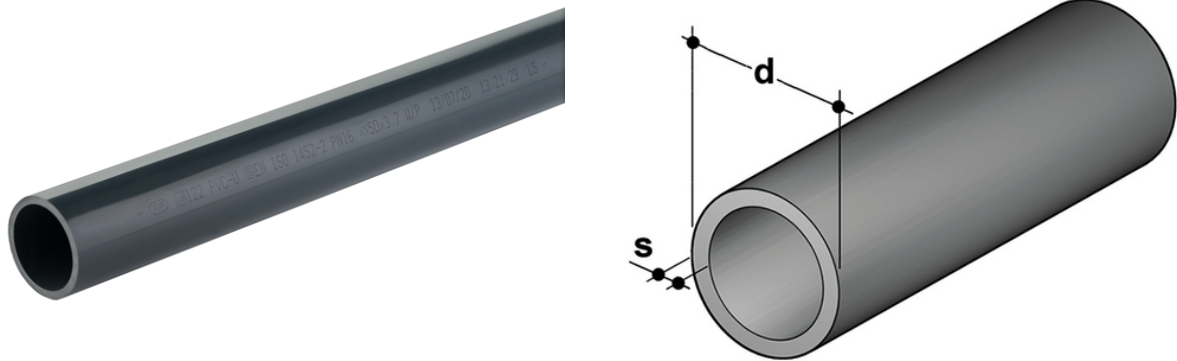


Pressure pipe PN10 SDR 21 – SDR 23 – SDR 26

PVC-U pressure pipe according to standards NF and CSTB NF055, dark gray RAL 7011, standard length 5m.



Reference	tootiplmage	system	Category	d	S mm	Kg/m
PIPEV21063	-	PVC-U system	Pipes	63	3,0	0,878
PIPEV21075	-	PVC-U system	Pipes	75	3,6	1,258
PIPEV21090	-	PVC-U system	Pipes	90	4,3	1,798
PIPEV21110	-	PVC-U system	Pipes	110	5,3	2,670
PIPEV21125	-	PVC-U system	Pipes	125	6,0	3,410
PIPEV23140	-	PVC-U system	Pipes	140	6,1	3,940
PIPEV26160	-	PVC-U system	Pipes	160	6,2	4,632
PIPEV26180	-	PVC-U system	Pipes	180	6,9	5,774
PIPEV26200	-	PVC-U system	Pipes	200	7,7	7,160
PIPEV26225	-	PVC-U system	Pipes	225	8,6	8,996
PIPEV26250	-	PVC-U system	Pipes	250	9,6	11,167
PIPEV26315	-	PVC-U system	Pipes	315	12,1	17,817