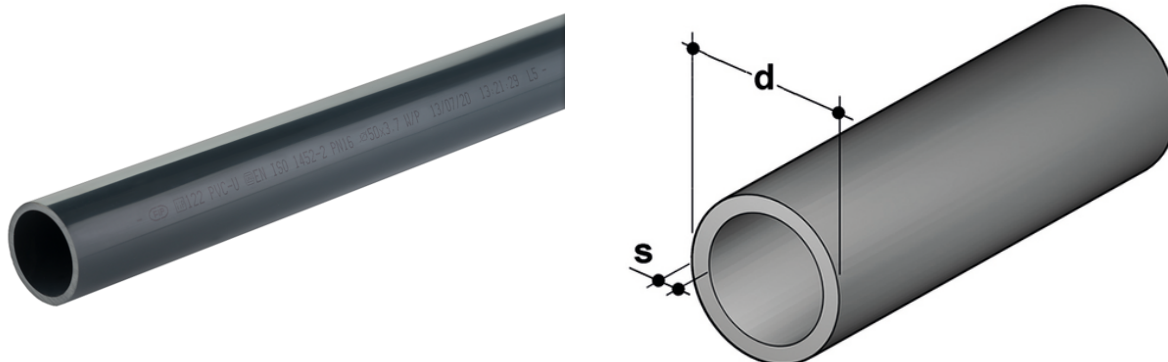


# Pressure pipe PN10 SDR 21 – SDR 26

PVC-U pressure pipe according to standard EN ISO 1452, dark gray RAL 7011, standard length 5m.



Reference	Other description	system	Category	family	series	d	S mm	Kg/m
PIPEV21032	*resale product	PVC-U system	Pipes	PVC-U Pipe EN-ISO-1452	PN10 pipe	32	1,6	0,246
PIPEV21040	*resale product	PVC-U system	Pipes	PVC-U Pipe EN-ISO-1452	PN10 pipe	40	1,9	0,360
PIPEV21050	*resale product	PVC-U system	Pipes	PVC-U Pipe EN-ISO-1452	PN10 pipe	50	2,4	0,567
PIPEV21063	*resale product	PVC-U system	Pipes	PVC-U Pipe EN-ISO-1452	PN10 pipe	63	3,0	0,878
PIPEV21075	*resale product	PVC-U system	Pipes	PVC-U Pipe EN-ISO-1452	PN10 pipe	75	3,6	1,258
PIPEV21090	*resale product	PVC-U system	Pipes	PVC-U Pipe EN-ISO-1452	PN10 pipe	90	4,3	1,798
PIPEV26110	*resale product	PVC-U system	Pipes	PVC-U Pipe EN-ISO-1452	PN10 pipe	110	4,2	2,175
PIPEV26125	*resale product	PVC-U system	Pipes	PVC-U Pipe EN-ISO-1452	PN10 pipe	125	4,8	2,800
PIPEV26140	*resale product	PVC-U system	Pipes	PVC-U Pipe EN-ISO-1452	PN10 pipe	140	5,4	3,533
PIPEV26160	*resale product	PVC-U system	Pipes	PVC-U Pipe EN-ISO-1452	PN10 pipe	160	6,2	4,632
PIPEV26180	*resale product	PVC-U system	Pipes	PVC-U Pipe EN-ISO-1452	PN10 pipe	*180	6,9	5,774
PIPEV26200	*resale product	PVC-U system	Pipes	PVC-U Pipe EN-ISO-1452	PN10 pipe	200	7,7	7,160
PIPEV26225	*resale product	PVC-U system	Pipes	PVC-U Pipe EN-ISO-1452	PN10 pipe	225	8,6	8,996
PIPEV26250	*resale product	PVC-U system	Pipes	PVC-U Pipe EN-ISO-1452	PN10 pipe	*250	9,6	11,167
PIPEV26280	*resale product	PVC-U system	Pipes	PVC-U Pipe EN-ISO-1452	PN10 pipe	280	10,7	13,961
PIPEV26315	*resale product	PVC-U system	Pipes	PVC-U Pipe EN-ISO-1452	PN10 pipe	*315	12,1	17,817