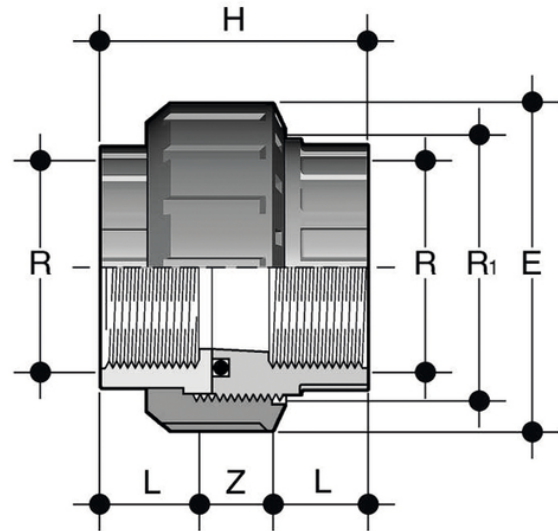


BFV - Union

Union with BSP threaded female ends, O-Ring in EPDM or FKM.



Reference	tooltiplmage	system	Category	family	R	R ₁	PN	E	H	L	Z	g
BFV038E	-	PVC-U system	Pressure Fittings	BSP Fittings	3/8"	3/4"	16	33	40	11.4	17.2	22
BFV012E	-	PVC-U system	Pressure Fittings	BSP Fittings	1/2"	1"	16	41	46	15	16	35
BFV034E	-	PVC-U system	Pressure Fittings	BSP Fittings	3/4"	1 1/4"	16	50	51	16.3	18,4	65
BFV100E	-	PVC-U system	Pressure Fittings	BSP Fittings	1"	1 1/2"	16	58	57	19,1	18.8	85
BFV114E	-	PVC-U system	Pressure Fittings	BSP Fittings	1 1/4"	2"	16	72	65	21.4	22.2	145
BFV112E	-	PVC-U system	Pressure Fittings	BSP Fittings	1 1/2"	2 1/4"	16	79	65	21.4	22.2	180
BFV200E	-	PVC-U system	Pressure Fittings	BSP Fittings	2"	2 3/4"	16	98	78	25.7	26.6	325