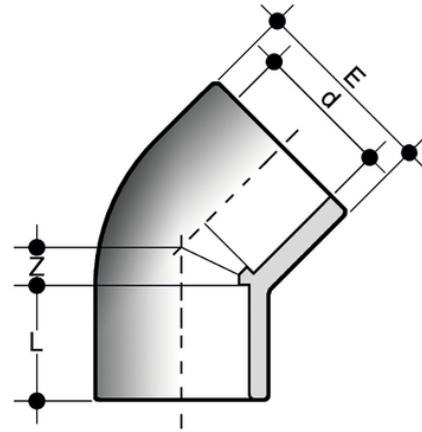


HLV

45° elbow with solvent weld sockets.



Reference	tooltiplmage	system	Category	family	d	PN	Class	E	L	Z	g
HLV012	-	PVC-U system	Pressure Fittings	BS Fittings	1/2"	15	E	27	16,5	5	13
HLV034	-	PVC-U system	Pressure Fittings	BS Fittings	3/4"	15	E	33	19,5	5,5	20
HLV100	-	PVC-U system	Pressure Fittings	BS Fittings	1"	15	E	41	22,5	7	45
HLV114	-	PVC-U system	Pressure Fittings	BS Fittings	1"1/4	15	E	50	26	10,5	85
HLV112	-	PVC-U system	Pressure Fittings	BS Fittings	1"1/2	15	E	61	31	11,5	155
HLV200	-	PVC-U system	Pressure Fittings	BS Fittings	2"	15	E	76	38	14	291
HIV075	-	PVC-U system	Pressure Fittings	BS Fittings	2"1/2	15	E	90	44	17	315
HLV300	-	PVC-U system	Pressure Fittings	BS Fittings	3"	15	E	107,5	51	21,5	565
HLV400	-	PVC-U system	Pressure Fittings	BS Fittings	4"	15	E	131	61	26	740