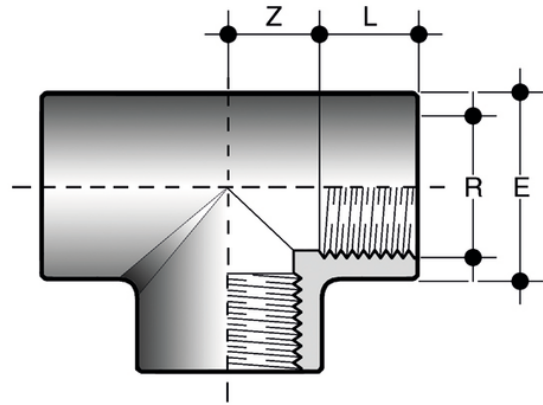


# TFV

90° Tee with BSP threaded female ends.



| Reference | tooltiplmage | system       | Category          | family       | R     | PN | E    | L    | Z    | g    |
|-----------|--------------|--------------|-------------------|--------------|-------|----|------|------|------|------|
| TFV038    | -            | PVC-U system | Pressure Fittings | BSP Fittings | 3/8"  | 16 | 23,5 | 11,4 | 13   | 20   |
| TFV300    | -            | PVC-U system | Pressure Fittings | BSP Fittings | 3"    | 16 | 109  | 33,3 | 66   | 1135 |
| TFV212    | -            | PVC-U system | Pressure Fittings | BSP Fittings | 2"1/2 | 16 | 91   | 30,2 | 55   | 640  |
| TFV200    | -            | PVC-U system | Pressure Fittings | BSP Fittings | 2"    | 16 | 76   | 25,7 | 46   | 465  |
| TFV112    | -            | PVC-U system | Pressure Fittings | BSP Fittings | 1"1/2 | 16 | 61   | 21,4 | 37   | 260  |
| TFV114    | -            | PVC-U system | Pressure Fittings | BSP Fittings | 1"1/4 | 16 | 50   | 21,4 | 27   | 117  |
| TFV100    | -            | PVC-U system | Pressure Fittings | BSP Fittings | 1"    | 16 | 43   | 19,1 | 21,5 | 92   |
| TFV034    | -            | PVC-U system | Pressure Fittings | BSP Fittings | 3/4"  | 16 | 35   | 16,3 | 17   | 52   |
| TFV012    | -            | PVC-U system | Pressure Fittings | BSP Fittings | 1/2"  | 16 | 28,5 | 15   | 13   | 32   |
| TFV400    | -            | PVC-U system | Pressure Fittings | BSP Fittings | 4"    | 16 | 133  | 39,3 | 83   | 1710 |