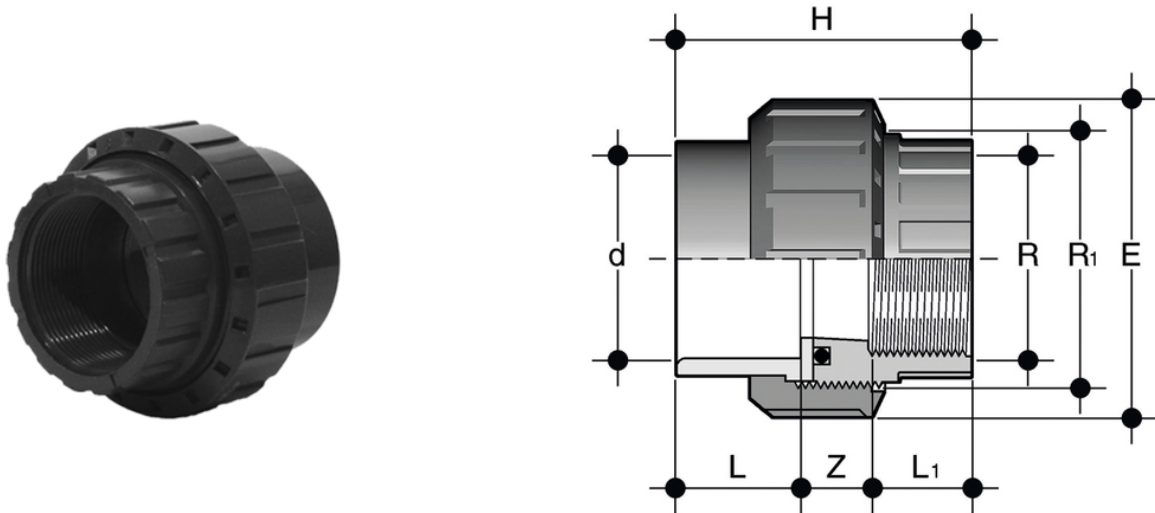


BIFV - Union

Union with solvent weld socket d and BSP threaded female end R with O-Ring in EPDM.



| Reference | tooliplmage | system | Category | family | d x R | R ₁ | PN | E | H | L | L ₁ | Z | g |
|-------------|-------------|--------------|-------------------|------------------|-------------|----------------|----|-----|-----|----|----------------|------|------|
| BIFV016038E | - | PVC-U system | Pressure Fittings | ISO-BSP Fittings | 16 x 3/8" | 3/4" | 16 | 33 | 41 | 14 | 11,4 | 15,6 | 22 |
| BIFV020012E | - | PVC-U system | Pressure Fittings | ISO-BSP Fittings | 20 x 1/2" | 1" | 16 | 41 | 45 | 16 | 15 | 14 | 35 |
| BIFV025034E | - | PVC-U system | Pressure Fittings | ISO-BSP Fittings | 25 x 3/4" | 1 1/4" | 16 | 50 | 51 | 19 | 16,3 | 15,7 | 62 |
| BIFV032100E | - | PVC-U system | Pressure Fittings | ISO-BSP Fittings | 32 x 1" | 1 1/2" | 16 | 58 | 57 | 22 | 19,1 | 15,9 | 85 |
| BIFV040114E | - | PVC-U system | Pressure Fittings | ISO-BSP Fittings | 40 x 1 1/4" | 2" | 16 | 72 | 67 | 26 | 21,4 | 19,6 | 145 |
| BIFV050112E | - | PVC-U system | Pressure Fittings | ISO-BSP Fittings | 50 x 1 1/2" | 2 1/4" | 16 | 79 | 72 | 31 | 21,4 | 19,6 | 180 |
| BIFV063200E | - | PVC-U system | Pressure Fittings | ISO-BSP Fittings | 63 x 2" | 2 3/4" | 16 | 98 | 88 | 38 | 25,7 | 24 | 315 |
| BIFV075212E | - | PVC-U system | Pressure Fittings | ISO-BSP Fittings | 75 x 2 1/2" | 3 1/2" | 10 | 120 | 116 | 44 | 30,2 | 34,8 | 630 |
| BIFV090300E | - | PVC-U system | Pressure Fittings | ISO-BSP Fittings | 90 x 3" | 4" | 10 | 135 | 125 | 51 | 33,3 | 40,7 | 810 |
| BIFV110400E | - | PVC-U system | Pressure Fittings | ISO-BSP Fittings | 110 x 4" | 5" | 10 | 163 | 145 | 61 | 39,3 | 44,7 | 1350 |