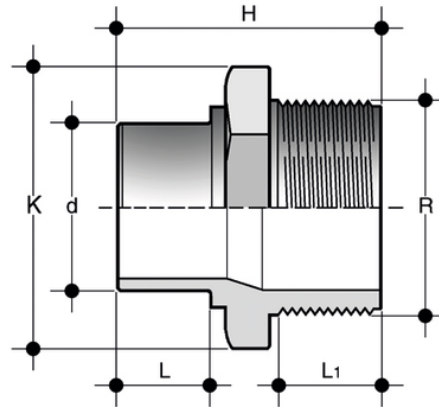


NRIV

Barrel nipple with reduced solvent weld spigot d and BSP threaded male end R.



Reference	tooltiplmage	system	Category	family	d x R	PN	E	H	K	L ₁	g
NRIV025100	-	PVC-U system	Pressure Fittings	ISO-BSP Fittings	25 x 1"	16	53	60	46	26	43
NRIV032114	-	PVC-U system	Pressure Fittings	ISO-BSP Fittings	32 x 1 1/4"	16	63	66	55	28	70