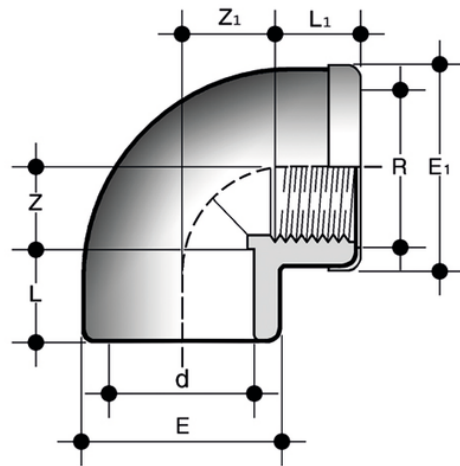


GIMV

90° elbow with reinforced solvent weld socket d and BSP threaded female end R with stainless steel reinforcing ring.



Reference	tooltipImage	system	Category	family	d x R	PN	E	E[5:1]	L	L ₁	Z	Z ₁	g
GIMV016038	-	PVC-U system	Pressure Fittings	ISO-BSP Fittings	16 x 3/8"	16	23,5	24,5	14	11,4	10	13	20
GIMV020012	-	PVC-U system	Pressure Fittings	ISO-BSP Fittings	20 x 1/2"	16	28,5	29,5	16	15	12	13	30
GIMV025034	-	PVC-U system	Pressure Fittings	ISO-BSP Fittings	25 x 3/4"	16	35	36	19	16,3	14	17	48
GIMV032100	-	PVC-U system	Pressure Fittings	ISO-BSP Fittings	32 x 1"	16	43	44	22	19,1	18	20,5	85
GIMV040114	-	PVC-U system	Pressure Fittings	ISO-BSP Fittings	40 x 1 1/4"	16	54	55	26	21,4	22,5	27	130
GIMV050112	-	PVC-U system	Pressure Fittings	ISO-BSP Fittings	50 x 1 1/2"	16	61	62	31	21,4	27	37	185
GIMV063200	-	PVC-U system	Pressure Fittings	ISO-BSP Fittings	63 x 2"	16	76	77	38	25,7	33	46	345