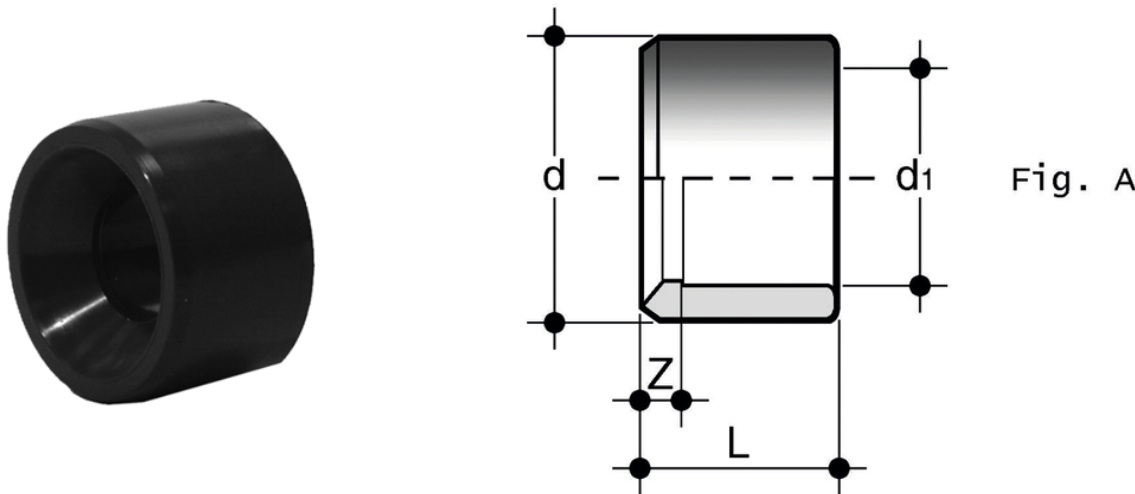


DIV - Fig. A

Reducing bush with solvent weld spigot (d) and solvent weld socket (d1 reduced) (fig. A).



Reference	tooltiplmage	product.detail.attribute.textBelowTableText	system	Category	family	d x d[5:1]	PN	L	Z	g
DIV016012	-	I: IIP 122 F: AFNOR NF04 *resale product	PVC-U system	Pressure Fittings	ISO-UNI Fittings	16 x 12	16	14	2	1
DIV020016	-	I: IIP 122 F: AFNOR NF04 *resale product	PVC-U system	Pressure Fittings	ISO-UNI Fittings	IF 20 x 16	16	16	2	3
DIV025020	-	I: IIP 122 F: AFNOR NF04 *resale product	PVC-U system	Pressure Fittings	ISO-UNI Fittings	IF 25 x 20	16	19	3	5
DIV032020	-	I: IIP 122 F: AFNOR NF04 *resale product	PVC-U system	Pressure Fittings	ISO-UNI Fittings	I 32 x 20	16	22	6	15
DIV032025	-	I: IIP 122 F: AFNOR NF04 *resale product	PVC-U system	Pressure Fittings	ISO-UNI Fittings	IF 32 x 25	16	22	3,5	10
DIV040032	-	I: IIP 122 F: AFNOR NF04 *resale product	PVC-U system	Pressure Fittings	ISO-UNI Fittings	IF 40 x 32	16	26	4	17
DIV050040	-	I: IIP 122 F: AFNOR NF04 *resale product	PVC-U system	Pressure Fittings	ISO-UNI Fittings	IF 50 x 40	16	31	5	32
DIV063050	-	I: IIP 122 F: AFNOR NF04 *resale product	PVC-U system	Pressure Fittings	ISO-UNI Fittings	IF 63 x 50	16	38	7	65
DIV075063	-	I: IIP 122 F: AFNOR NF04 *resale product	PVC-U system	Pressure Fittings	ISO-UNI Fittings	IF 75 x 63	16	44	6	85
DIV090075	-	I: IIP 122 F: AFNOR NF04 *resale product	PVC-U system	Pressure Fittings	ISO-UNI Fittings	IF 90 x 75	16	51	7	150
DIV110090	-	I: IIP 122 F: AFNOR NF04 *resale product	PVC-U system	Pressure Fittings	ISO-UNI Fittings	IF 110 x 90	16	61	9	270



DIV - Fig. A

Reference	tooltiplmage	product.detail.attribute.textBelowTableText	system	Category	family		d x d[5:1]	PN	L	Z	g
DIV125110	-	I: IIP 122 F: AFNOR NF04 *resale product	PVC-U system	Pressure Fittings	ISO-UNI Fittings	IF	125 x 110	16	69	8	285
DIV140110	-	I: IIP 122 F: AFNOR NF04 *resale product	PVC-U system	Pressure Fittings	ISO-UNI Fittings	I	140 x 110	16	76	17	645
DIV140125	-	I: IIP 122 F: AFNOR NF04 *resale product	PVC-U system	Pressure Fittings	ISO-UNI Fittings	IF	140 x 125	16	76	9,5	350
DIV160140	-	I: IIP 122 F: AFNOR NF04 *resale product	PVC-U system	Pressure Fittings	ISO-UNI Fittings	IF	160 x 140	16	86	10	565
DIV225200	-	I: IIP 122 F: AFNOR NF04 *resale product	PVC-U system	Pressure Fittings	ISO-UNI Fittings		225 x 200	16	119	13	1380
DIV250200	-	I: IIP 122 F: AFNOR NF04 *resale product	PVC-U system	Pressure Fittings	ISO-UNI Fittings		250 x 200	10	132	25	3500
DIV250225	-	I: IIP 122 F: AFNOR NF04 *resale product	PVC-U system	Pressure Fittings	ISO-UNI Fittings		250 x 225	10	132	12	2100
DIV280250	-	I: IIP 122 F: AFNOR NF04 *resale product	PVC-U system	Pressure Fittings	ISO-UNI Fittings		*280 x 250	10	147	15	2500

