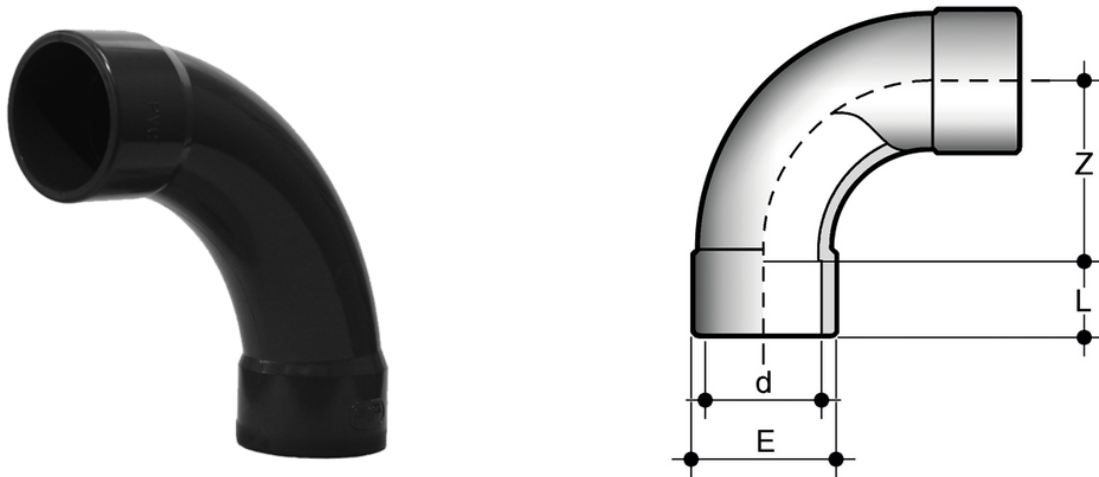


# SIV

90° long radius bend (R=2d) with solvent weld sockets.



Reference	tooltiplmage	Other description	system	Category	family		d	PN	E	L	Z	g
SIV020	-	I: IIP 122 H: KIWA K5034 ND 10	PVC-U system	Pressure Fittings	ISO-UNI Fittings	IH	20	16	27	16	40,5	35
SIV025	-	I: IIP 122 H: KIWA K5034 ND 10	PVC-U system	Pressure Fittings	ISO-UNI Fittings	IH	25	16	33	19	50	55
SIV032	-	I: IIP 122 H: KIWA K5034 ND 10	PVC-U system	Pressure Fittings	ISO-UNI Fittings	IH	32	16	41	22	65,5	100
SIV040	-	I: IIP 122 H: KIWA K5034 ND 10	PVC-U system	Pressure Fittings	ISO-UNI Fittings	IH	40	16	50	26	80,5	175
SIV050	-	I: IIP 122 H: KIWA K5034 ND 10	PVC-U system	Pressure Fittings	ISO-UNI Fittings	IH	50	16	61	31	100,5	280
SIV063	-	I: IIP 122 H: KIWA K5034 ND 10	PVC-U system	Pressure Fittings	ISO-UNI Fittings	IH	63	16	76	38	127	515
SIV075	-	I: IIP 122 H: KIWA K5034 ND 10	PVC-U system	Pressure Fittings	ISO-UNI Fittings	I	75	16	94	44	150	1000
SIV090	-	I: IIP 122 H: KIWA K5034 ND 10	PVC-U system	Pressure Fittings	ISO-UNI Fittings	I	90	16	113	51	180	1770
SIV110	-	I: IIP 122 H: KIWA K5034 ND 10	PVC-U system	Pressure Fittings	ISO-UNI Fittings	I	110	16	137	61	220	2800
SIV160	-	I: IIP 122 H: KIWA K5034 ND 10	PVC-U system	Pressure Fittings	ISO-UNI Fittings		160	16	189	86	207	5020