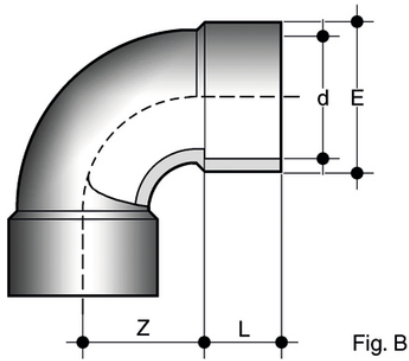


GIV - Fig. B

90° elbow with solvent weld sockets (fig. B).



| Reference | tooltiplmage | system | Category | family | d | PN | E | L | Z | g |
|-----------|--------------|--------------|-------------------|------------------|-----|----|-----|-----|-----|-------|
| GIV250 | - | PVC-U system | Pressure Fittings | ISO-UNI Fittings | 250 | 10 | 287 | 131 | 188 | 12480 |
| GIV280 | - | PVC-U system | Pressure Fittings | ISO-UNI Fittings | 280 | 10 | 325 | 147 | 210 | 17000 |
| GIV315 | - | PVC-U system | Pressure Fittings | ISO-UNI Fittings | 315 | 10 | 359 | 164 | 236 | 23370 |