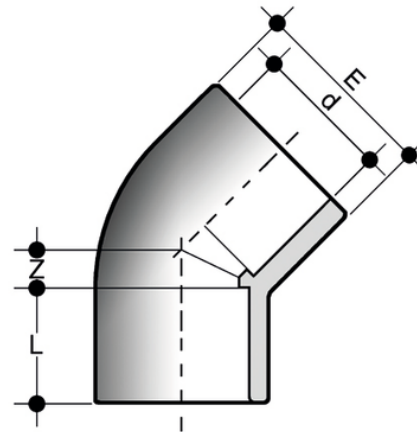


# HIV

45° elbow with solvent weld sockets.



Reference	tooltiplmage	Other description	system	Category	family		d	PN	E	L	Z	g
HIV012	-	I: IIP 122 F: AFNOR NF04 H: KIWA K5034 ND 10 *resale product	PVC-U system	Pressure Fittings	ISO-UNI Fittings		12	16	17	12	4	5
HIV016	-	I: IIP 122 F: AFNOR NF04 H: KIWA K5034 ND 10 *resale product	PVC-U system	Pressure Fittings	ISO-UNI Fittings		16	16	21	14	5	6
HIV020	-	I: IIP 122 F: AFNOR NF04 H: KIWA K5034 ND 10 *resale product	PVC-U system	Pressure Fittings	ISO-UNI Fittings	IFH	20	16	28	16	5,5	20
HIV025	-	I: IIP 122 F: AFNOR NF04 H: KIWA K5034 ND 10 *resale product	PVC-U system	Pressure Fittings	ISO-UNI Fittings	IFH	25	16	33	19	6	26
HIV032	-	I: IIP 122 F: AFNOR NF04 H: KIWA K5034 ND 10 *resale product	PVC-U system	Pressure Fittings	ISO-UNI Fittings	IFH	32	16	41	22	7,5	45
HIV040	-	I: IIP 122 F: AFNOR NF04 H: KIWA K5034 ND 10 *resale product	PVC-U system	Pressure Fittings	ISO-UNI Fittings	IFH	40	16	50	26	10,5	70
HIV050	-	I: IIP 122 F: AFNOR NF04 H: KIWA K5034 ND 10 *resale product	PVC-U system	Pressure Fittings	ISO-UNI Fittings	IFH	50	16	61	31	11,5	120
HIV063	-	I: IIP 122 F: AFNOR NF04 H: KIWA K5034 ND 10 *resale product	PVC-U system	Pressure Fittings	ISO-UNI Fittings	IFH	63	16	76	38	14	200
HIV075	-	I: IIP 122 F: AFNOR NF04 H: KIWA K5034 ND 10 *resale product	PVC-U system	Pressure Fittings	ISO-UNI Fittings	IF	75	16	90	44	17	320
HIV090	-	I: IIP 122 F: AFNOR NF04 H: KIWA K5034 ND 10 *resale product	PVC-U system	Pressure Fittings	ISO-UNI Fittings	IF	90	16	107	51	21,5	550
HIV110	-	I: IIP 122 F: AFNOR NF04 H: KIWA K5034 ND 10 *resale product	PVC-U system	Pressure Fittings	ISO-UNI Fittings	I	110	16	130	61	26	915
HIV125	-	I: IIP 122 F: AFNOR NF04 H: KIWA K5034 ND 10 *resale product	PVC-U system	Pressure Fittings	ISO-UNI Fittings	IF	125	16	147	69	31	1315

# HIV

Reference	tooltImage	Other description	system	Category	family		d	PN	E	L	Z	g
HIV140	-	I: IIP 122 F: AFNOR NF04 H: KIWA K5034 ND 10 *resale product	PVC-U system	Pressure Fittings	ISO-UNI Fittings	IF	140	16	163	76	34	1660
HIV160	-	I: IIP 122 F: AFNOR NF04 H: KIWA K5034 ND 10 *resale product	PVC-U system	Pressure Fittings	ISO-UNI Fittings	IF	160	16	192	86	38	3060
HIV180	-	I: IIP 122 F: AFNOR NF04 H: KIWA K5034 ND 10 *resale product	PVC-U system	Pressure Fittings	ISO-UNI Fittings		*180	10	208	97	38	3500
HIV200	-	I: IIP 122 F: AFNOR NF04 H: KIWA K5034 ND 10 *resale product	PVC-U system	Pressure Fittings	ISO-UNI Fittings	I	200	10	230	108	48	4500
HIV225	-	I: IIP 122 F: AFNOR NF04 H: KIWA K5034 ND 10 *resale product	PVC-U system	Pressure Fittings	ISO-UNI Fittings	I	225	10	260	121	55	6400
HIV250	-	I: IIP 122 F: AFNOR NF04 H: KIWA K5034 ND 10 *resale product	PVC-U system	Pressure Fittings	ISO-UNI Fittings		250	10	286	131	58	7700
HIV280	-	I: IIP 122 F: AFNOR NF04 H: KIWA K5034 ND 10 *resale product	PVC-U system	Pressure Fittings	ISO-UNI Fittings		280	10	320	146	62	10460
HIV315	-	I: IIP 122 F: AFNOR NF04 H: KIWA K5034 ND 10 *resale product	PVC-U system	Pressure Fittings	ISO-UNI Fittings		315	10	359	164	66	15500