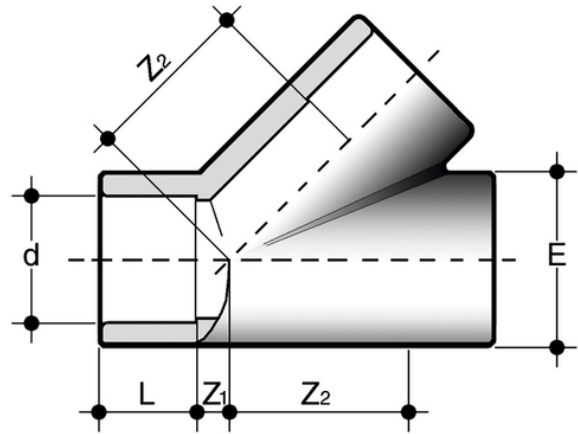


YIV

45° Tee with solvent weld sockets.



Reference	tooltipImage	product.detail.attribute.textBelowTableText	system	Category	family	d	PN	E	L	Z	Z2	g
YIV020	-	*resale product	PVC-U system	Pressure Fittings	ISO-UNI Fittings	20	16	27	16	7	30	39
YIV025	-	*resale product	PVC-U system	Pressure Fittings	ISO-UNI Fittings	25	16	33	19	7	35	62
YIV032	-	*resale product	PVC-U system	Pressure Fittings	ISO-UNI Fittings	32	16	41	22	9	44	110
YIV040	-	*resale product	PVC-U system	Pressure Fittings	ISO-UNI Fittings	40	16	51	26	11	55	190
YIV050	-	*resale product	PVC-U system	Pressure Fittings	ISO-UNI Fittings	50	16	63	31	12	68,5	335
YIV063	-	*resale product	PVC-U system	Pressure Fittings	ISO-UNI Fittings	63	16	78	38	15	85	570
YIV075	-	*resale product	PVC-U system	Pressure Fittings	ISO-UNI Fittings	75	10	87,5	44	17,5	94,5	750
YIV090	-	*resale product	PVC-U system	Pressure Fittings	ISO-UNI Fittings	90	10	104,5	51,5	20,5	112,5	1165

Reference	tooltipImage	product.detail.attribute.textBelowTableText	system	Category	family	d	PN	E	L	Z	Z2	g
YIV110	-	*resale product	PVC-U system	Pressure Fittings	ISO-UNI Fittings	110	10	127,5	62	25	138	2175
YIV160	-	*resale product	PVC-U system	Pressure Fittings	ISO-UNI Fittings	*160	10	189	86	35	200	6500