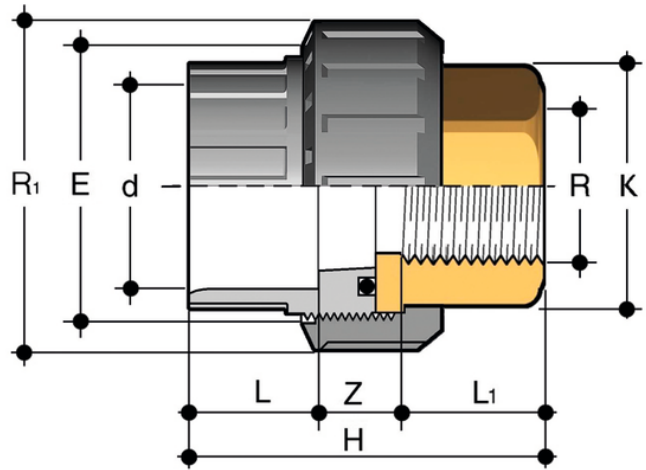


# BIFOV - Adaptor union

Adaptor union in PVC-U/brass with solvent weld socket d and BSP threaded brass female end R with O-Ring in EPDM.



| Reference    | system       | Category          | family           | d x R       | R <sub>1</sub> | PN | E  | H    | K  | L  | L <sub>1</sub> | Z    | g   |
|--------------|--------------|-------------------|------------------|-------------|----------------|----|----|------|----|----|----------------|------|-----|
| BIFOV016038E | PVC-U system | Pressure Fittings | ISO-BSP Fittings | 16 x 3/8"   | 3/4"           | 16 | 33 | 45,5 | 20 | 14 | 13,5           | 18   | 53  |
| BIFOV020012E | PVC-U system | Pressure Fittings | ISO-BSP Fittings | 20 x 1/2"   | 1"             | 16 | 41 | 48,5 | 25 | 16 | 16,5           | 16   | 86  |
| BIFOV025034E | PVC-U system | Pressure Fittings | ISO-BSP Fittings | 25 x 3/4"   | 1 1/4"         | 16 | 50 | 54,5 | 32 | 19 | 18,5           | 17   | 161 |
| BIFOV032100E | PVC-U system | Pressure Fittings | ISO-BSP Fittings | 32 x 1"     | 1 1/2"         | 16 | 58 | 59,5 | 38 | 22 | 19,5           | 18   | 181 |
| BIFOV040114E | PVC-U system | Pressure Fittings | ISO-BSP Fittings | 40 x 1 1/4" | 2"             | 16 | 72 | 68,5 | 48 | 26 | 21,5           | 21   | 373 |
| BIFOV050112E | PVC-U system | Pressure Fittings | ISO-BSP Fittings | 50 x 1 1/2" | 2 1/4"         | 16 | 79 | 84,5 | 55 | 31 | 23             | 24,5 | 460 |
| BIFOV063200E | PVC-U system | Pressure Fittings | ISO-BSP Fittings | 63 x 2"     | 2 3/4"         | 16 | 98 | 94,5 | 69 | 38 | 27             | 29,5 | 824 |