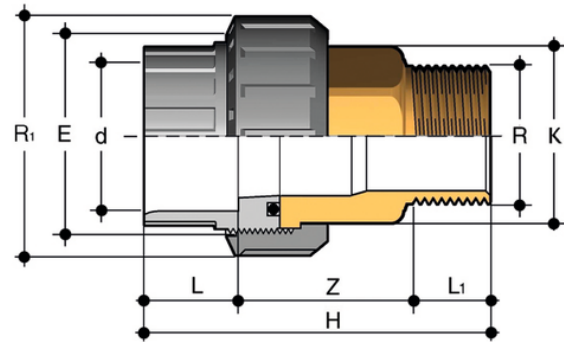


BIROV – Adaptor union

Adaptor union in PVC-U/brass with solvent weld socket d and BSP threaded brass male end R with O-Ring in EPDM.



Reference	tooltiplmage	system	Category	family	d x R	R ₁	PN	E	H	K	L	L ₁	Z	g
BIROV016038E	-	PVC-U system	Pressure Fittings	ISO-BSP Fittings	16 x 3/8"	3/4"	16	33	58,5	20	14	10,5	34	79
BIROV020012E	-	PVC-U system	Pressure Fittings	ISO-BSP Fittings	20 x 1/2"	1"	16	41	65	25	16	13,5	35,5	131
BIROV025034E	-	PVC-U system	Pressure Fittings	ISO-BSP Fittings	25 x 3/4"	1 1/4"	16	50	72,5	32	19	15	38,5	229
BIROV032100E	-	PVC-U system	Pressure Fittings	ISO-BSP Fittings	32 x 1"	1 1/2"	16	58	80	38	22	17,5	40,5	188
BIROV040114E	-	PVC-U system	Pressure Fittings	ISO-BSP Fittings	40 x 1 1/4"	2"	16	72	91	48	26	19,5	45,5	550
BIROV050112E	-	PVC-U system	Pressure Fittings	ISO-BSP Fittings	50 x 1 1/2"	2 1/4"	16	79	101	55	31	19,5	50,5	681
BIROV063200E	-	PVC-U system	Pressure Fittings	ISO-BSP Fittings	63 x 2"	2 3/4"	16	98	122,5	69	38	24	60,5	1183