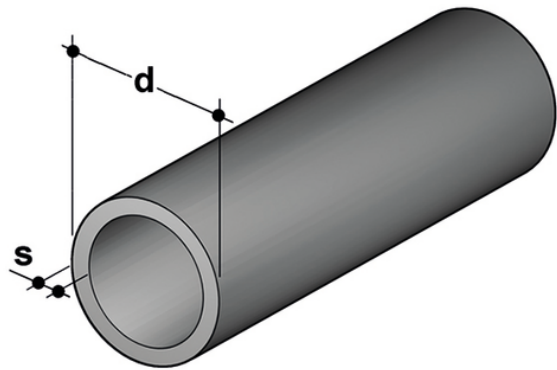
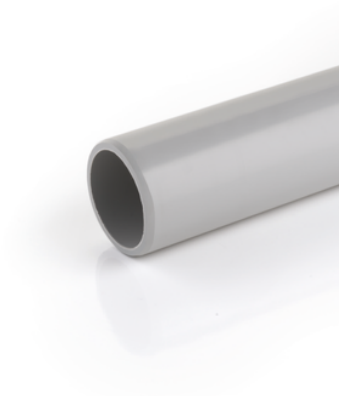


# TemperFIP100® Pressure pipe PN10 SDR21 – S10

PVC-C Corzan® pressure pipe according to standards EN ISO 15493 and DIN 8079/8080, light grey RAL 215, standard length 5m.



Reference	tooltipimage	system	Category	family	series	d	DN	S mm	Kg/m
PIPEC21110	-	PVC-C system	Pipes	PVC-U Pipe DIN-8061/8062	PN10 pipe	110	100	5,3	2,890
PIPEC21160	-	PVC-C system	Pipes	PVC-U Pipe DIN-8061/8062	PN10 pipe	160	150	7,7	6,060
PIPEC21225	-	PVC-C system	Pipes	PVC-U Pipe DIN-8061/8062	PN10 pipe	225	200	10,8	12,200