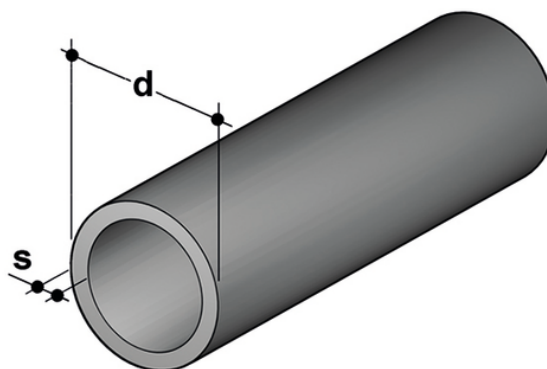
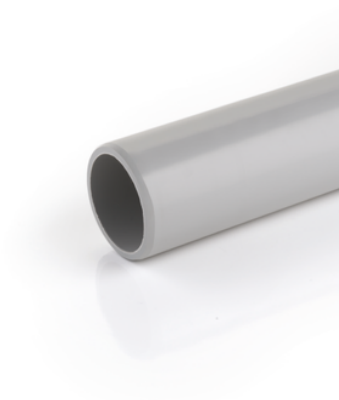


TemperFIP100® Pressure pipe PN16 SDR 13,6 – S6,3

PVC-C Corzan® pressure pipe according to standards EN ISO 15493 and DIN 8079/8080, light grey RAL 215, standard length 5m.



Reference	tooltiplmage	system	Category	family	series	d	DN	S mm	Kg/m
PIPEC13016	-	PVC-C system	Pipes	PVC-U Pipe DIN-8061/8062	PN16 pipe	16	10	1,4	0,110
PIPEC13020	-	PVC-C system	Pipes	PVC-U Pipe DIN-8061/8062	PN16 pipe	20	15	1,5	0,170
PIPEC13025	-	PVC-C system	Pipes	PVC-U Pipe DIN-8061/8062	PN16 pipe	25	20	1,9	0,260
PIPEC13032	-	PVC-C system	Pipes	PVC-U Pipe DIN-8061/8062	PN16 pipe	32	25	2,4	0,420
PIPEC13040	-	PVC-C system	Pipes	PVC-U Pipe DIN-8061/8062	PN16 pipe	40	32	3,0	0,630
PIPEC13050	-	PVC-C system	Pipes	PVC-U Pipe DIN-8061/8062	PN16 pipe	50	40	3,7	0,970
PIPEC13063	-	PVC-C system	Pipes	PVC-U Pipe DIN-8061/8062	PN16 pipe	63	50	4,7	1,530
PIPEC13075	-	PVC-C system	Pipes	PVC-U Pipe DIN-8061/8062	PN16 pipe	75	65	5,6	2,200
PIPEC13090	-	PVC-C system	Pipes	PVC-U Pipe DIN-8061/8062	PN16 pipe	90	80	6,7	2,880
PIPEC13110	-	PVC-C system	Pipes	PVC-U Pipe DIN-8061/8062	PN16 pipe	110	100	8,1	4,310
PIPEC13160	-	PVC-C system	Pipes	PVC-U Pipe DIN-8061/8062	PN16 pipe	160	150	11,8	9,040