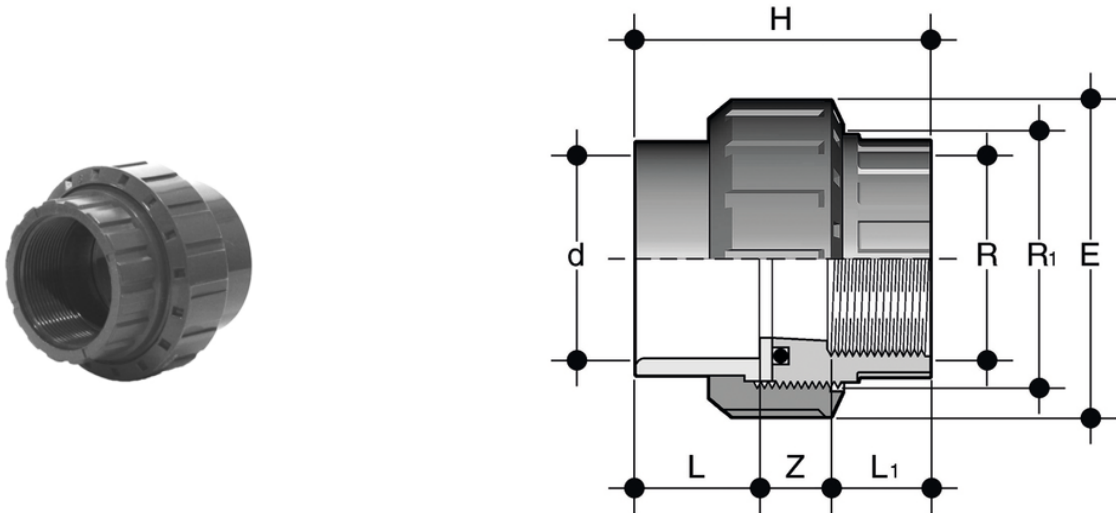


BIFC – Adaptor union

Union with solvent weld socket d and BSP threaded female end R with O-ring in EPDM.



Reference	tooltiplmage	system	Category	family	d x R	R ₁	PN	E	H	L	L ₁	Z	g
BIFC016038E	-	PVC-C system	Pressure Fittings	ISO-BSP Fittings	16 x 3/8"	3/4"	16	33	41	14	11,4	15,6	25
BIFC020012E	-	PVC-C system	Pressure Fittings	ISO-BSP Fittings	20 x 1/2"	1"	16	41	45	16	15	14	40
BIFC025034E	-	PVC-C system	Pressure Fittings	ISO-BSP Fittings	25 x 3/4"	1"1/4"	16	51	51	19	16,3	15,7	68
BIFC032100E	-	PVC-C system	Pressure Fittings	ISO-BSP Fittings	32 x 1"	1"1/2"	16	58	57	22	19,1	15,9	93
BIFC040114E	-	PVC-C system	Pressure Fittings	ISO-BSP Fittings	40 x 1"1/4"	2"	16	72	67	26	21,4	19,6	158
BIFC050112E	-	PVC-C system	Pressure Fittings	ISO-BSP Fittings	50 x 1"1/2"	2"1/4"	16	79	72	31	21,4	19,6	193
BIFC063200E	-	PVC-C system	Pressure Fittings	ISO-BSP Fittings	63 x 2"	2"3/4"	16	98	88	38	25,7	24	345