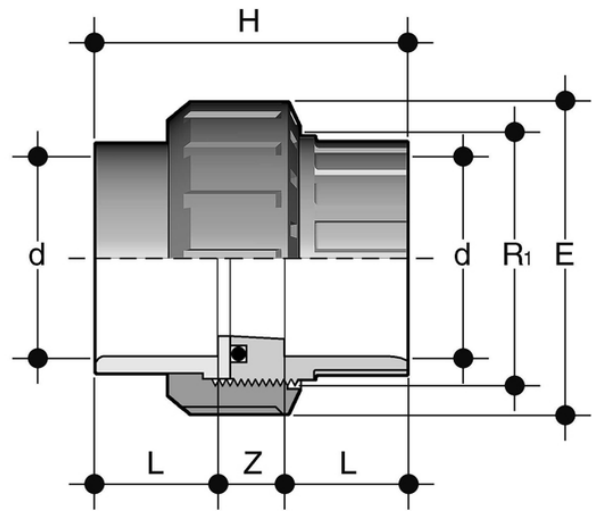


BIC_EPDM - Union

Union with solvent weld socket, with O-Ring in EPDM.



Reference	system	Category	family	d	R ₁	PN	E	H	L	Z	g
BIC016E	PVC-C system	Pressure Fittings	ISO-UNI Fittings	16	3/4"	16	33	41	14	13	23
BIC020E	PVC-C system	Pressure Fittings	ISO-UNI Fittings	20	1"	16	41	45	16	13	39
BIC025E	PVC-C system	Pressure Fittings	ISO-UNI Fittings	25	1"1/4	16	50	51	19	13	68
BIC032E	PVC-C system	Pressure Fittings	ISO-UNI Fittings	32	1"1/2	16	58	57	22	13	94
BIC040E	PVC-C system	Pressure Fittings	ISO-UNI Fittings	40	2"	16	72	67	26	15	163
BIC050E	PVC-C system	Pressure Fittings	ISO-UNI Fittings	50	2"1/4	16	79	79	31	17	190
BIC063E	PVC-C system	Pressure Fittings	ISO-UNI Fittings	63	2"3/4	16	98	98	38	22	355