

90° elbow with solvent weld sockets (fig. B).

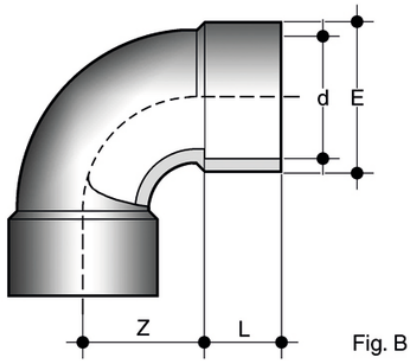


Fig. B

Reference	tooliplmage	system	Category	family	d	PN	E	L	Z	g
GIC225	-	PVC-C system	Pressure Fittings	ISO-UNI Fittings	225	10	258	119	172	9270