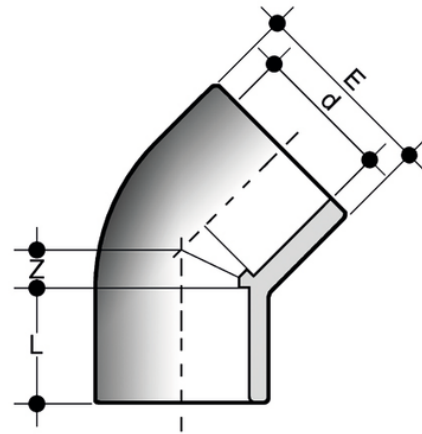


HIC

45° elbow with solvent weld sockets.



Reference	tooltiplmage	system	Category	family	d	PN	E	L	Z	g
HIC020	-	PVC-C system	Pressure Fittings	ISO-UNI Fittings	20	16	28	16	5,5	20
HIC025	-	PVC-C system	Pressure Fittings	ISO-UNI Fittings	25	16	34	19	6	32
HIC032	-	PVC-C system	Pressure Fittings	ISO-UNI Fittings	32	16	42,5	22	7	58
HIC040	-	PVC-C system	Pressure Fittings	ISO-UNI Fittings	40	16	52	26	10,5	101
HIC050	-	PVC-C system	Pressure Fittings	ISO-UNI Fittings	50	16	64	31	11,7	175
HIC063	-	PVC-C system	Pressure Fittings	ISO-UNI Fittings	63	16	80	38	14	305
HIC075	-	PVC-C system	Pressure Fittings	ISO-UNI Fittings	75	16	90	44	17	344
HIC090	-	PVC-C system	Pressure Fittings	ISO-UNI Fittings	90	16	107	51	21,5	587
HIC110	-	PVC-C system	Pressure Fittings	ISO-UNI Fittings	110	16	130	61	26	1007
HIC160	-	PVC-C system	Pressure Fittings	ISO-UNI Fittings	160	16	192	86	38	3255
HIC225	-	PVC-C system	Pressure Fittings	ISO-UNI Fittings	225	10	260	121	55	7150