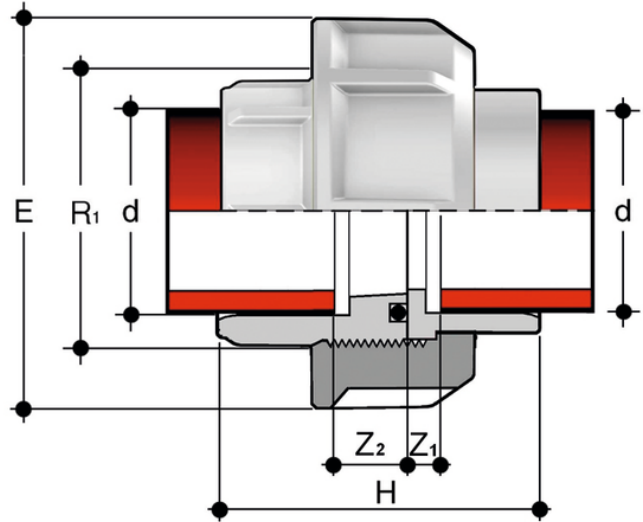


# BIGF - Unions

Union for socket welding.



Reference	system	Category	family	d	R <sub>1</sub>	PN	E	H	Z <sub>1</sub>	Z <sub>2</sub>	g
BIGF020F	PVDF system	Pressure Fittings	ISO-UNI Fittings	20	1"	16	47	45,5	12	5,5	59
BIGF025F	PVDF system	Pressure Fittings	ISO-UNI Fittings	25	1"1/4	16	58	49,5	12	5,5	99
BIGF032F	PVDF system	Pressure Fittings	ISO-UNI Fittings	32	1"1/2	16	65	53,5	12	5,5	141
BIGF040F	PVDF system	Pressure Fittings	ISO-UNI Fittings	40	2"	16	78	59,5	14	5,5	218
BIGF050F	PVDF system	Pressure Fittings	ISO-UNI Fittings	50	2"1/4	16	85	67,5	16	5,5	290
BIGF063F	PVDF system	Pressure Fittings	ISO-UNI Fittings	63	2"3/4	16	103	79,5	20	5,5	476