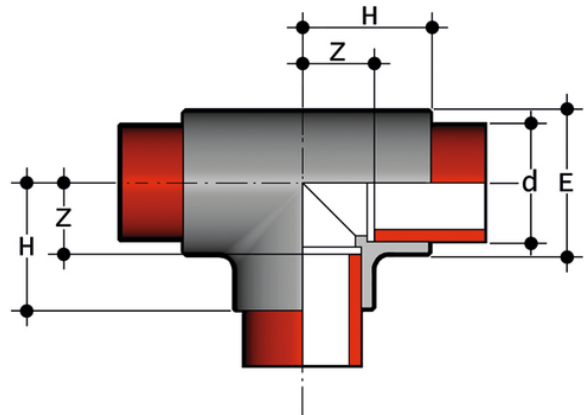


TIF

90° Tee for socket welding.



Reference	tooltiplmage	system	Category	family	d	PN	E	H	Z	g
TIF016	-	PVDF system	Pressure Fittings	ISO-UNI Fittings	16	16	22	23	10	18
TIF020	-	PVDF system	Pressure Fittings	ISO-UNI Fittings	20	16	28	27	13	35
TIF025	-	PVDF system	Pressure Fittings	ISO-UNI Fittings	25	16	33	32	16	55
TIF032	-	PVDF system	Pressure Fittings	ISO-UNI Fittings	32	16	41	37	19	90
TIF040	-	PVDF system	Pressure Fittings	ISO-UNI Fittings	40	16	51	43	22	150
TIF050	-	PVDF system	Pressure Fittings	ISO-UNI Fittings	50	16	63	52	29	270
TIF063	-	PVDF system	Pressure Fittings	ISO-UNI Fittings	63	16	79	63	35	470
TIF075	-	PVDF system	Pressure Fittings	ISO-UNI Fittings	75	16	93	71	40	665
TIF090	-	PVDF system	Pressure Fittings	ISO-UNI Fittings	90	16	109	82	46	1025
TIF110	-	PVDF system	Pressure Fittings	ISO-UNI Fittings	110	16	133	99	58	1800