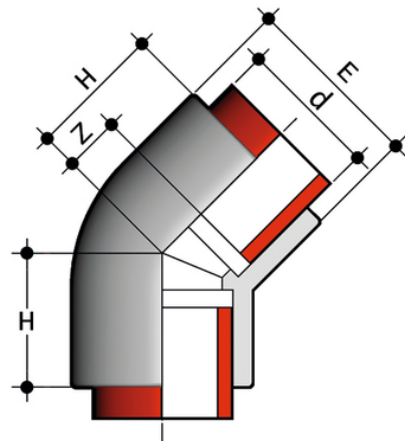


HIF

45° elbow for socket welding.



Reference	tooltiplmage	system	Category	family	d	PN	E	H	Z	g
HIF020	-	PVDF system	Pressure Fittings	ISO-UNI Fittings	20	16	28	22	7	24
HIF025	-	PVDF system	Pressure Fittings	ISO-UNI Fittings	25	16	33	25	9	37
HIF032	-	PVDF system	Pressure Fittings	ISO-UNI Fittings	32	16	42	30	12	63
HIF040	-	PVDF system	Pressure Fittings	ISO-UNI Fittings	40	16	51	37	16	110
HIF050	-	PVDF system	Pressure Fittings	ISO-UNI Fittings	50	16	63	43	19	202
HIF063	-	PVDF system	Pressure Fittings	ISO-UNI Fittings	63	16	79	52	25	337
HIF075	-	PVDF system	Pressure Fittings	ISO-UNI Fittings	75	16	88	61	30	395
HIF090	-	PVDF system	Pressure Fittings	ISO-UNI Fittings	90	16	105	73	37	645
HIF110	-	PVDF system	Pressure Fittings	ISO-UNI Fittings	110	16	127	87	46	1095