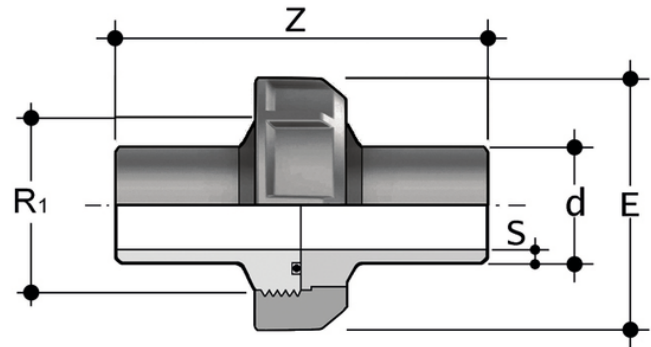


BBM-L SDR 11 - Union

Long spigot union for butt welding with seal in EPDM or FKM PN10 SDR 11 - S5.



***EPDM**

Reference	tooltipImage	product.detail.attribute.textBelowTableText	system	Category	family	d	DN	R ₁	E	s	Z	g
BBML11020E	-	* EPDM O-ring ** FKM O-ring	PP-H system	Pressure Fittings	ISO-UNI Fittings Butt Welding	20	15	1"	46	1,9	190	70
BBML11025E	-	* EPDM O-ring ** FKM O-ring	PP-H system	Pressure Fittings	ISO-UNI Fittings Butt Welding	25	20	1"1/4	56	2,3	190	105
BBML11032E	-	* EPDM O-ring ** FKM O-ring	PP-H system	Pressure Fittings	ISO-UNI Fittings Butt Welding	32	25	1"1/2	66	2,9	190	140
BBML11040E	-	* EPDM O-ring ** FKM O-ring	PP-H system	Pressure Fittings	ISO-UNI Fittings Butt Welding	40	32	2"	79	3,7	190	210
BBML11050E	-	* EPDM O-ring ** FKM O-ring	PP-H system	Pressure Fittings	ISO-UNI Fittings Butt Welding	50	40	2"1/4	87	4,6	190	295
BBML11063E	-	* EPDM O-ring ** FKM O-ring	PP-H system	Pressure Fittings	ISO-UNI Fittings Butt Welding	63	50	2"3/4	107	5,8	190	480



BBM-L SDR 11 – Union

****FKM**

Reference	tooltipImage	product.detail.attribute.textBelowTableText	system	Category	family	d	DN	R ₁	E	s	Z	g
BBML11020F	-	* EPDM O-ring ** FKM O-ring	PP-H system	Pressure Fittings	ISO-UNI Fittings Butt Welding	20	15	1"	46	1,9	190	70
BBML11025F	-	* EPDM O-ring ** FKM O-ring	PP-H system	Pressure Fittings	ISO-UNI Fittings Butt Welding	25	20	1"1/4	56	2,3	190	105
BBML11032F	-	* EPDM O-ring ** FKM O-ring	PP-H system	Pressure Fittings	ISO-UNI Fittings Butt Welding	32	25	1"1/2	66	2,9	190	140
BBML11040F	-	* EPDM O-ring ** FKM O-ring	PP-H system	Pressure Fittings	ISO-UNI Fittings Butt Welding	40	32	2"	79	3,7	190	210
BBML11050F	-	* EPDM O-ring ** FKM O-ring	PP-H system	Pressure Fittings	ISO-UNI Fittings Butt Welding	40	50	2"1/4	87	4,6	190	295
BBML11063F	-	* EPDM O-ring ** FKM O-ring	PP-H system	Pressure Fittings	ISO-UNI Fittings Butt Welding	63	50	2"3/4	107	5,8	190	480

