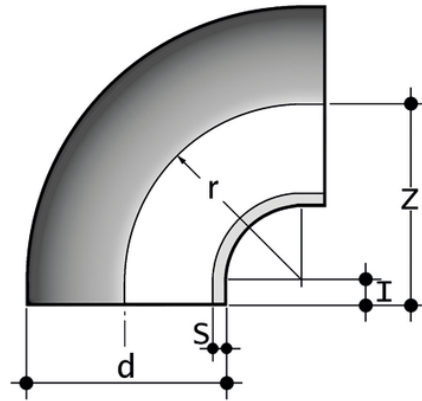


GBM/GKM PN6 SDR 17,6 - 8,3 - 90° bend equal ends

90° bend, short spigot for butt welding PN6 SDR 17,6 - 8,3.



Reference	tooltiplmage	Other description	system	Category	family	d	l	r	s	Z	g
GBM17125	-	*resale products	PP-H system	Pressure Fittings	ISO-UNI Fittings Butt Welding	125	15	125	7,1	140	652
GBM17140	-	*resale products	PP-H system	Pressure Fittings	ISO-UNI Fittings Butt Welding	140	15	140	8,0	155	900
GBM17160	-	*resale products	PP-H system	Pressure Fittings	ISO-UNI Fittings Butt Welding	160	15	160	9,1	175	1231
GBM17180	-	*resale products	PP-H system	Pressure Fittings	ISO-UNI Fittings Butt Welding	180	15	180	10,2	195	1875
GBM17200	-	*resale products	PP-H system	Pressure Fittings	ISO-UNI Fittings Butt Welding	200	15	200	11,4	215	2423
GBM17225	-	*resale products	PP-H system	Pressure Fittings	ISO-UNI Fittings Butt Welding	225	20	225	13,4	245	3469
GBM17250	-	*resale products	PP-H system	Pressure Fittings	ISO-UNI Fittings Butt Welding	250	25	250	14,2	275	4568
GBM17280	-	*resale products	PP-H system	Pressure Fittings	ISO-UNI Fittings Butt Welding	280	30	280	15,9	310	6550
GBM17315	-	*resale products	PP-H system	Pressure Fittings	ISO-UNI Fittings Butt Welding	315	35	315	17,9	350	9728
GBM17355	-	*resale products	PP-H system	Pressure Fittings	ISO-UNI Fittings Butt Welding	*355	38	355	20,1	385	12760
GBM17400	-	*resale products	PP-H system	Pressure Fittings	ISO-UNI Fittings Butt Welding	*400	41	400	22,7	438	18500



GBM/GKM PN6 SDR 17,6 - 8,3 - 90° bend equal ends

Reference	tooltiplmage	Other description	system	Category	family	d	l	r	s	Z	g
GBM17450	-	*resale products	PP-H system	Pressure Fittings	ISO-UNI Fittings Butt Welding	*450	60	450	25,5	510	40800
GBM17500	-	*resale products	PP-H system	Pressure Fittings	ISO-UNI Fittings Butt Welding	*500	60	500	28,3	560	52150
GKM17050	-	*resale products	PP-H system	Pressure Fittings	ISO-UNI Fittings Butt Welding	50	23	36	2,9	62	48,7
GKM17063	-	*resale products	PP-H system	Pressure Fittings	ISO-UNI Fittings Butt Welding	63	21	65	3,6	77	101,1
GKM17075	-	*resale products	PP-H system	Pressure Fittings	ISO-UNI Fittings Butt Welding	75	21	75	4,3	85	137,7
GKM17090	-	*resale products	PP-H system	Pressure Fittings	ISO-UNI Fittings Butt Welding	90	22	90	5,1	100	234
GKM17110	-	*resale products	PP-H system	Pressure Fittings	ISO-UNI Fittings Butt Welding	110	25	110	6,3	120	412

