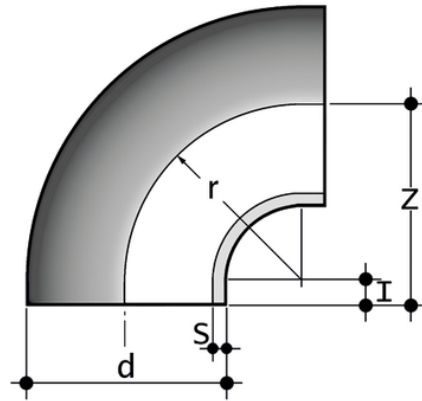


GBM/GKM PN10 SDR 11 - S 5 - 90° bend equal ends

90° bend, short spigot for butt welding PN10 SDR 11 - S 5.



Reference	tooltiplmage	Other description	system	Category	family	d	l	r	s	Z	g
GBM11125	-	*resale products	PP-H system	Pressure Fittings	ISO-UNI Fittings Butt Welding	125	15	125	11,4	140	945
GBM11140	-	*resale products	PP-H system	Pressure Fittings	ISO-UNI Fittings Butt Welding	140	15	140	12,7	155	1300
GBM11160	-	*resale products	PP-H system	Pressure Fittings	ISO-UNI Fittings Butt Welding	160	15	160	14,6	175	1870
GBM11180	-	*resale products	PP-H system	Pressure Fittings	ISO-UNI Fittings Butt Welding	180	15	180	16,4	195	2767
GBM11200	-	*resale products	PP-H system	Pressure Fittings	ISO-UNI Fittings Butt Welding	200	15	200	18,2	215	3604
GBM11225	-	*resale products	PP-H system	Pressure Fittings	ISO-UNI Fittings Butt Welding	225	20	225	20,5	245	5292
GBM11250	-	*resale products	PP-H system	Pressure Fittings	ISO-UNI Fittings Butt Welding	250	25	250	22,7	275	7210
GBM11280	-	*resale products	PP-H system	Pressure Fittings	ISO-UNI Fittings Butt Welding	280	30	280	25,4	310	10020
GBM11315	-	*resale products	PP-H system	Pressure Fittings	ISO-UNI Fittings Butt Welding	315	35	315	28,6	350	13965
GBM11355	-	*resale products	PP-H system	Pressure Fittings	ISO-UNI Fittings Butt Welding	*355	38	355	32,2	385	19365
GBM11400	-	*resale products	PP-H system	Pressure Fittings	ISO-UNI Fittings Butt Welding	*400	41	400	36,3	438	28650



GBM/GKM PN10 SDR 11 - S 5 - 90° bend equal ends

Reference	tooltiplmage	Other description	system	Category	family	d	l	r	s	Z	g
GBM11450	-	*resale products	PP-H system	Pressure Fittings	ISO-UNI Fittings Butt Welding	*450	60	450	40,9	510	52551
GBM11500	-	*resale products	PP-H system	Pressure Fittings	ISO-UNI Fittings Butt Welding	*500	60	500	45,4	560	67410
GKM11020	-	*resale products	PP-H system	Pressure Fittings	ISO-UNI Fittings Butt Welding	20	20	18	1,9	34	6,9
GKM11025	-	*resale products	PP-H system	Pressure Fittings	ISO-UNI Fittings Butt Welding	25	20	18	2,3	37	11
GKM11032	-	*resale products	PP-H system	Pressure Fittings	ISO-UNI Fittings Butt Welding	32	21	20	2,9	40	19,1
GKM11040	-	*resale products	PP-H system	Pressure Fittings	ISO-UNI Fittings Butt Welding	40	22	35	3,7	51	37,4
GKM11050	-	*resale products	PP-H system	Pressure Fittings	ISO-UNI Fittings Butt Welding	50	23	36	4,6	62	70
GKM11063	-	*resale products	PP-H system	Pressure Fittings	ISO-UNI Fittings Butt Welding	63	21	65	5,8	77	139,5
GKM11075	-	*resale products	PP-H system	Pressure Fittings	ISO-UNI Fittings Butt Welding	75	21	75	6,8	85	199,6
GKM11090	-	*resale products	PP-H system	Pressure Fittings	ISO-UNI Fittings Butt Welding	90	22	90	8,2	100	341,1
GKM11110	-	*resale products	PP-H system	Pressure Fittings	ISO-UNI Fittings Butt Welding	110	25	110	10,0	120	598,9