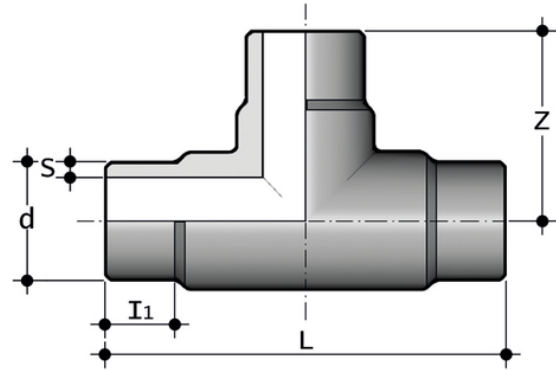


TBM PN10 SDR 11 – S 5 – Fittings equal ends

90° Tee, short spigot for butt welding PN10 SDR 11 – S 5.



Reference	tooltiplmage	Other description	system	Category	family	d	l[5:1]	L	s	Z	g
TBM11020	-	*resale products	PP-H system	Pressure Fittings	ISO-UNI Fittings Butt Welding	20	8	50	1,9	25	11
TBM11025	-	*resale products	PP-H system	Pressure Fittings	ISO-UNI Fittings Butt Welding	25	10	60	2,3	30	15
TBM11032	-	*resale products	PP-H system	Pressure Fittings	ISO-UNI Fittings Butt Welding	32	12	80	2,9	40	30
TBM11040	-	*resale products	PP-H system	Pressure Fittings	ISO-UNI Fittings Butt Welding	40	20	96	3,7	48	55
TBM11050	-	*resale products	PP-H system	Pressure Fittings	ISO-UNI Fittings Butt Welding	50	25	124	4,6	62	115
TBM11063	-	*resale products	PP-H system	Pressure Fittings	ISO-UNI Fittings Butt Welding	63	29	156	5,8	78	230
TBM11075	-	*resale products	PP-H system	Pressure Fittings	ISO-UNI Fittings Butt Welding	75	33	180	6,8	90	390
TBM11090	-	*resale products	PP-H system	Pressure Fittings	ISO-UNI Fittings Butt Welding	90	23	200	8,2	100	645
TBM11110	-	*resale products	PP-H system	Pressure Fittings	ISO-UNI Fittings Butt Welding	110	43	240	10	120	1040
TBM11125	-	*resale products	PP-H system	Pressure Fittings	ISO-UNI Fittings Butt Welding	*125	26	250	11,4	125	1480
TBM11140	-	*resale products	PP-H system	Pressure Fittings	ISO-UNI Fittings Butt Welding	*140	32	280	12,7	140	2060



TBM PN10 SDR 11 – S 5 – Fittings equal ends

Reference	tooltiplimage	Other description	system	Category	family	d	l[5:1]	L	s	Z	g
TBM11160	-	*resale products	PP-H system	Pressure Fittings	ISO-UNI Fittings Butt Welding	160	40	320	14,6	160	2925
TBM11180	-	*resale products	PP-H system	Pressure Fittings	ISO-UNI Fittings Butt Welding	*180	73	390	16,4	195	4665
TBM11200	-	*resale products	PP-H system	Pressure Fittings	ISO-UNI Fittings Butt Welding	*200	64	430	18,2	215	6470
TBM11225	-	*resale products	PP-H system	Pressure Fittings	ISO-UNI Fittings Butt Welding	225	72	490	20,5	245	9220
TBM11250	-	*resale products	PP-H system	Pressure Fittings	ISO-UNI Fittings Butt Welding	*250	86	550	22,7	275	12650
TBM11280	-	*resale products	PP-H system	Pressure Fittings	ISO-UNI Fittings Butt Welding	*280	105	620	25,4	310	18205
TBM11315	-	*resale products	PP-H system	Pressure Fittings	ISO-UNI Fittings Butt Welding	*315	111	700	28,6	350	25700
TBM11355	-	*resale products	PP-H system	Pressure Fittings	ISO-UNI Fittings Butt Welding	*355	103	698	32,2	349	30200
TBM11400	-	*resale products	PP-H system	Pressure Fittings	ISO-UNI Fittings Butt Welding	*400	105	720	36,3	360	39100
TBM11450	-	*resale products	PP-H system	Pressure Fittings	ISO-UNI Fittings Butt Welding	*450	137	838	40,9	419	61129
TBM11500	-	*resale products	PP-H system	Pressure Fittings	ISO-UNI Fittings Butt Welding	*500	160	930	45,4	465	84230

