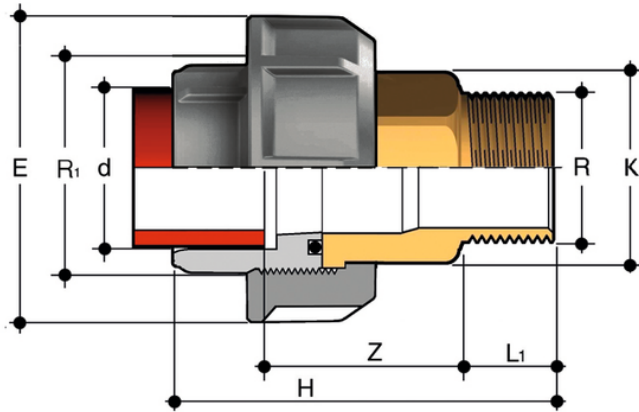


BIROM – Adaptor union

Adaptor union in PP-H/brass for socket welding (d), BSP threaded brass male end R with O-Ring in EPDM.



Reference	system	Category	family	d x R	R ₁	PN	E	H	K	L ₁	Z	g
BIROM020012E	PP-H system	Pressure Fittings	ISO-BSP Fittings Socket Welding	20 x 1/2"	1"	10	47	65	25	13,5	37,5	134
BIROM025034E	PP-H system	Pressure Fittings	ISO-BSP Fittings Socket Welding	25 x 3/4"	1 1/4"	10	58	71,5	32	15	40,5	227
BIROM032100E	PP-H system	Pressure Fittings	ISO-BSP Fittings Socket Welding	32 x 1"	1 1/2"	10	65	78	38	17,5	42,5	287
BIROM040114E	PP-H system	Pressure Fittings	ISO-BSP Fittings Socket Welding	40 x 1 1/4"	2"	10	78	87	48	19,5	47,5	534
BIROM050112E	PP-H system	Pressure Fittings	ISO-BSP Fittings Socket Welding	50 x 1 1/2"	2 1/4"	10	85	95	55	19,5	52,5	668
BIROM063200E	PP-H system	Pressure Fittings	ISO-BSP Fittings Socket Welding	63 x 2"	2 3/4"	10	103	113,5	69	24	62,5	1144