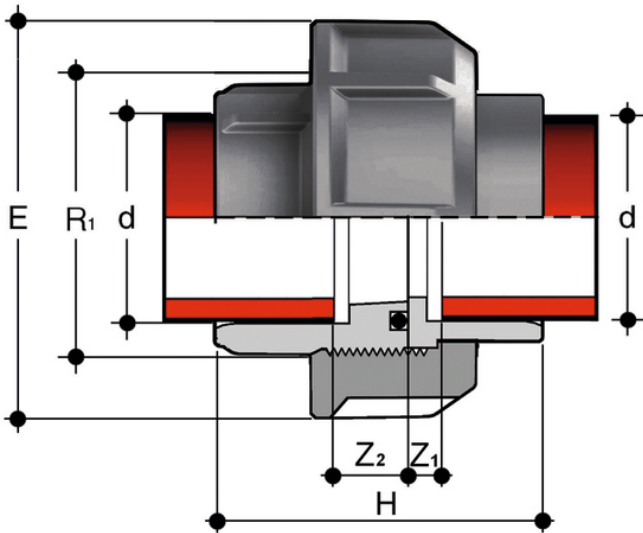


BIGM - Union

Union for socket welding with O-Ring in EPDM or FKM.



EPDM

Reference	tooltiplmage	system	Category	family	d	R ₁	PN	E	H	Z ₁	Z ₂	g
BIGM020E	-	PP-H system	Pressure Fittings	ISO-UNI Fittings Socket Welding	20	1"	10	47	45,5	12	5,5	34
BIGM025E	-	PP-H system	Pressure Fittings	ISO-UNI Fittings Socket Welding	25	1 1/4"	10	58	49,5	12	5,5	59
BIGM032E	-	PP-H system	Pressure Fittings	ISO-UNI Fittings Socket Welding	32	1 1/2"	10	65	53,5	12	5,5	73
BIGM040E	-	PP-H system	Pressure Fittings	ISO-UNI Fittings Socket Welding	40	2"	10	78	59,5	14	5,5	115
BIGM050E	-	PP-H system	Pressure Fittings	ISO-UNI Fittings Socket Welding	50	2 1/4"	10	85	67,5	16	5,5	146
BIGM063E	-	PP-H system	Pressure Fittings	ISO-UNI Fittings Socket Welding	63	2 3/4"	10	103	79,5	20	5,5	249

FKM

Reference	tooltiplmage	system	Category	family	d	R ₁	PN	E	H	Z ₁	Z ₂	g
BIGM020F	-	PP-H system	Pressure Fittings	ISO-UNI Fittings Socket Welding	20	1"	10	47	45,5	12	5,5	34
BIGM025F	-	PP-H system	Pressure Fittings	ISO-UNI Fittings Socket Welding	25	1 1/4"	10	58	49,5	12	5,5	59
BIGM	-	PP-H system	Pressure Fittings	ISO-UNI Fittings Socket Welding	32	1 1/2"	10	65	53,5	12	5,5	73
BIGM040F	-	PP-H system	Pressure Fittings	ISO-UNI Fittings Socket Welding	40	2"	10	78	59,5	14	5,5	115
BIGM050F	-	PP-H system	Pressure Fittings	ISO-UNI Fittings Socket Welding	50	2 1/4"	10	85	67,5	16	5,5	146
BIGM063F	-	PP-H system	Pressure Fittings	ISO-UNI Fittings Socket Welding	63	2 3/4"	10	103	79,5	20	5,5	249